

Mirror Mounts

- Optic Holders
- Optical Baseplates
- Optical Rails and Carriers
- Bases
- Rod Mounting Systems
- Post, Post Holders, Clamps

Gimballed Mirror and Beamsplitter Mounts

- Full 360 degree gimballed rotation about mirror surface
- For one inch, two inch and 30mm diameter mirrors
- Micrometers for precise angular positioning
- In-line or vertical adjusters
- Thinner version for beamsplitters
- May be post or base mounted
- Sensitivity <math><1\text{arcmin}</math>



By maintaining an open architecture these mirror mounts permit full 360 degree rotation of the mirror about its surface. This is extremely useful when aligning laser systems as the beam can easily be directed over a wide angular range. Once roughly set, the mount may be locked and fine motion is then controlled by the micrometer adjusters. These provide rotation for both azimuth and elevation. They are normally mounted in line with the mirror but for situations where the adjusters need to be kept out of the optical path, vertical mounted versions are offered. For beamsplitters, normally used at 45 degrees, thinner mounts are offered. They accept 2 inch (50mm) or 30mm beamsplitters and provide a clear aperture at 45 degrees of 1 inch and 1/2 inch respectively. The base of these mirror mounts has an 8-32 or M4 threaded hole which can be used for post, pedestal or base mounting.

Specifications & Tolerances

Dimensions: $\pm 0.2\text{mm}$

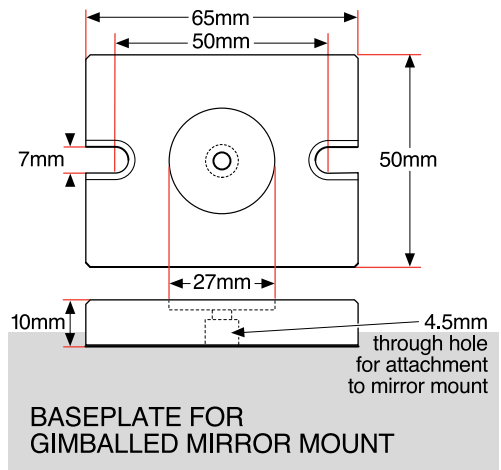
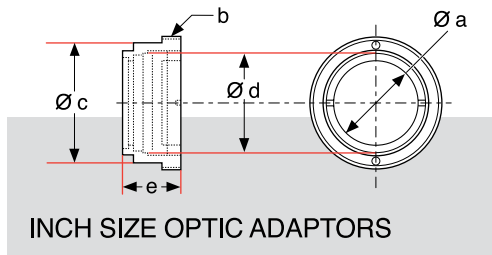
Material: Aluminum

Finish: Black anodized

Angular adjustment: Mirror diameter

Mirror diameter	1inch	30mm	2inch
Range (fine)	$\pm 4^\circ$	$\pm 4^\circ$	$\pm 4^\circ$
Azimuth per rotation	43arcmin	43arcmin	29arcmin
Elevation per rotation	32arcmin	32arcmin	22arcmin
Sensitivity	50arcsec	50arcsec	30arcsec

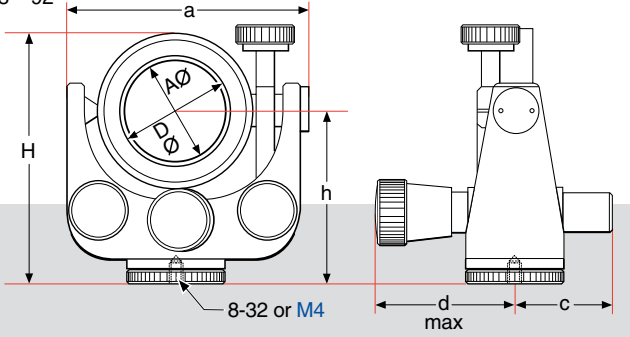
Product No.	Dimensions (mm)				
	a	b	c	d	e
112-0440	10.5	M26.25	24	12.7	12
112-0450	17	M26.25	24	19.05	12
112-0460	8	M30.8	29	10	12
112-0470	27	$\text{\O} 50$	44	30	15
112-0480	35	M51.65	49	38.1	16



ORDERING
&
TECHNICAL SUPPORT
(949) 851-5881
FAX (949) 851-5058
E-MAIL
sales@optosigma.com
WEB
www.optosigma.com



Product No.	Dimensions (mm)						
	a	d	c	h	A	D	H
112-2830/2835	64	39	25	45	22.0	25.4	66
112-2840/2845	64	39	25	45	27.0	30.0	66
112-2850/2855	86	39	25	60	47.0	50.8	92



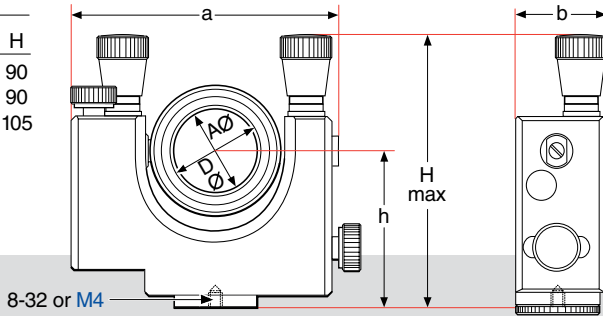
GIMBALLED MIRROR MOUNT WITH INLINE ADJUSTERS

Gimballed Mirror and Beamsplitter Mounts

INCH METRIC

Item	Adjuster Position	To Hold Mirror Diameter, D		Price	PART NUMBER	PART NUMBER
		(inches)	(mm)			
Mirror Mount	In-line	1.00	25 or 25.4		112-2830	112-2835
Mirror Mount	Vertical	1.00	25 or 25.4		112-2630	112-2635
Mirror Mount	In-line	1.18	30		112-2840	112-2845
Mirror Mount	Vertical	1.18	30		112-2640	112-2645
Mirror Mount	In-line	2.00	50 or 50.8		112-2850	112-2855
Mirror Mount	Vertical	2.00	50 or 50.8		112-2650	112-2655
Beamsplitter Mount	In-line	1.18	30		112-3430	112-3435
Beamsplitter Mount	In-line	1.97	50		112-3450	112-3455
Base for Gimballed Mirror Mounts	-	-	-		147-0610	147-0610

Product No.	Dimensions (mm)					
	a	b	h	A	D	H
112-2630/2635	84	29	50	22.0	25.4	90
112-2640/2645	84	29	50	27.0	30.0	90
112-2650/2655	110	30	65	47.0	50.8	105



GIMBALLED MIRROR MOUNT WITH VERTICAL ADJUSTERS

Mirror Mount Adapters

To Hold Mirror Diameter, d (inches)	To Hold Mirror Diameter, d (mm)	To Fit Mount Diameter, D (inches)	To Fit Mount Diameter, D (mm)	Price	PART NUMBER
0.39	10.0	1.18	30.0		112-0460
0.50	12.7	1.00	25.4		112-0440
0.75	19.1	1.00	25.4		112-0450
1.50	38.1	2.00	50.8		112-0480
1.00	25.4	2.00	50.8		112-0468
1.00	25.4	1.18	30.0		112-0459
1.18	30.0	2.00	50.8		112-0470
0.75	19.1	1.18	30.0		112-0457
0.50	12.7	1.18	30.0		112-0455

ORDERING & TECHNICAL SUPPORT
(949) 851-5881
FAX (949) 851-5058
E-MAIL sales@optosigma.com
WEB www.optosigma.com

