

Ultra-stable™ Mirror Mounts

- High stability for mounting laser cavity mirrors
- For one and two inch diameter mirrors
- Adapters for other common sizes
- Gimballed mounting rotates about mirror surface
- Dual fine/ultra-fine angular adjustment
- Sensitivity <10arcsec



These mirror mounts maintain a low center of gravity and have a secure method for attachment to a base. Internal construction introduces hardly any instability so that mirrors will remain securely in place once set. Both intra-cavity and external mirrors will benefit from this ultra-stable form of mounting. The mounts are supplied for one inch and two inch diameter mirrors but adapters may be used for other mirror sizes. Mirrors are secured in place from the rear of the mount using a retaining ring.

The Gimballed mount permits angular movement of the mirror about its surface thereby eliminating any beam run-out during adjustment. There are two degrees of freedom about azimuthal and elevational axes and each is driven by a dual speed differential micrometer. This permits the mirror to be set up within about 5arcseconds. For convenience, the outer body has two flat bases so that the micrometers can be arranged to be either on the right or left of the mirror. The base plate has mounting holes for either 1/4-20 or M6 screws.

ORDERING
&
TECHNICAL SUPPORT

(949) 851-5881

FAX (949) 851-5058

E-MAIL
sales@optosigma.com

WEB
www.optosigma.com

Specifications & Tolerances

Dimensions: $\pm 0.2\text{mm}$

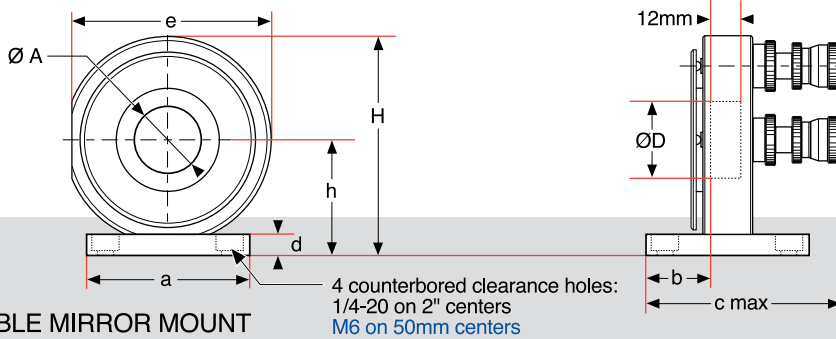
Material: Steel

Finish: Black chrome

Mirror Mounts

- Optic Holders
- Optical Baseplates
- Optical Rails and Carriers
- Bases
- Rod Mounting Systems
- Post, Post Holders, Clamps

Part Number	Dimensions (mm)									Specifications		
	a	b	c	d	e	h	A	D	H	Course per rotation (°)	Fine per rotation (°)	Sensitivity (° per 1/50 rev.)
112-6660/6665	65	25.5	86.5	8	77	45	22	25.4	85	1.04	-	0.021
112-6670/6675	65	25.5	86.5	8	77	45	26	30	85	1.04	-	0.021
112-6680/6685	65	20.3	84.5	9	96	55	46	50	105	0.79	-	0.016
112-6710/6715	65	25.5	82.5	8	77	45	22	25.4	85	1.04	0.104	0.0021
112-6720/6725	65	25.5	82.5	8	77	45	26	30	85	1.04	0.104	0.0021
112-6730/6735	65	20.3	76.5	9	96	55	46	50	105	0.79	0.79	0.0021



ULTRA-STABLE MIRROR MOUNT

Ultra-stable™ Mirror Mounts

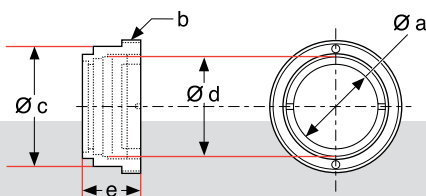
INCH METRIC

Item	To Hold Mirror Diameter (inches)	To Hold Mirror Diameter (mm)	Price	PART NUMBER	PART NUMBER
Ultra-stable Mount	1.00	25 or 25.4		112-6660	112-6665
Ultra-stable Mount	1.18	30		112-6670	112-6675
Ultra-stable Mount	2.00	50 or 50.8		112-6680	112-6685
Mount, Differential Mic.	1.00	25 or 25.4		112-6710	112-6715
Mount, Differential Mic.	1.18	30		112-6720	112-6725
Mount, Differential Mic.	2.00	50 or 50.8		112-6730	112-6735

Mirror Mount Adapters

To Hold Mirror Diameter, d (inches)	To Hold Mirror Diameter, d (mm)	To Fit Mount Diameter, D (inches)	To Fit Mount Diameter, D (mm)	Price	PART NUMBER
0.50	12.7	1.00	25.4		112-0440
0.75	19.1	1.00	25.4		112-0450
1.50	38.1	2.00	50.8		112-0480

Product No.	Dimensions (mm)				
	a	b	c	d	e
112-0440	10.5	M26.25	24	12.7	12
112-0450	17	M26.25	24	19.05	12
112-0460	8	M30.8	29	10	12
112-0470	27	Ø 50	44	30	15
112-0480	35	M51.65	49	38.1	16



INCH SIZE OPTIC ADAPTORS



ORDERING & TECHNICAL SUPPORT
 (949) 851-5881
 FAX (949) 851-5058
 E-MAIL sales@optosigma.com
 WEB www.optosigma.com

