

## Large Precision Mirror Mounts

- Rock solid mounting
- For 4, 6, 8 and 10 inch diameter mirrors
- Larger sizes available upon request
- Dual fine/ultra-fine angular adjustment
- Sensitivity <math><3\text{arcsec}</math>



Large precision mirror mounts provide a secure and stable mounting platform for large mirrors such as laser beamsteerers or off-axis parabolic collimators. The cast base may be attached to a base plate for mounting onto an optical table or other support. Mirrors are retained in a mounting ring by means of three clamp screws. Angular alignment can be made about two axes, by means of dual action adjusters with fine screw and ultra-fine differential micrometer action. Using these mounts it is possible to align a mirror within a few arcseconds. Once set it will remain in place over a long period of time.

### Specifications & Tolerances

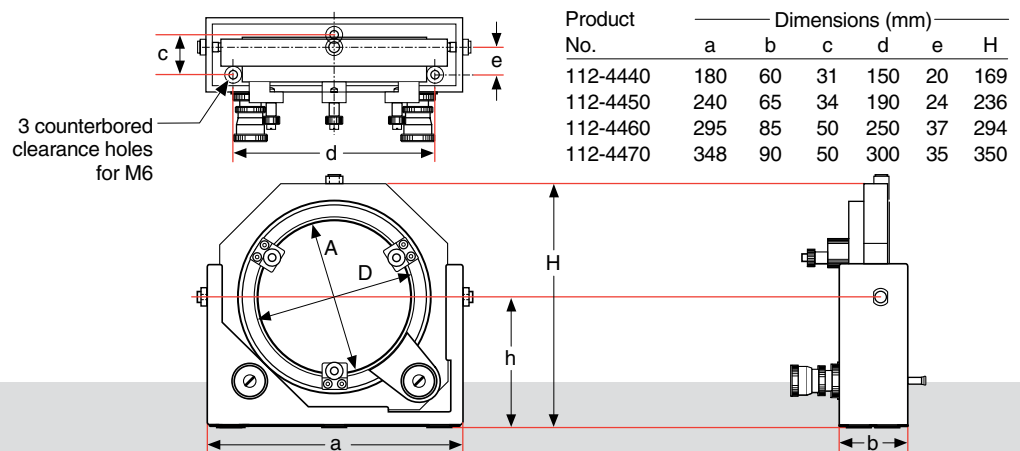
Dimensions:  $\pm 0.2\text{mm}$

Material: Cast aluminum

Finish: Black anodized and painted

Angular adjustment: Mirror diameter

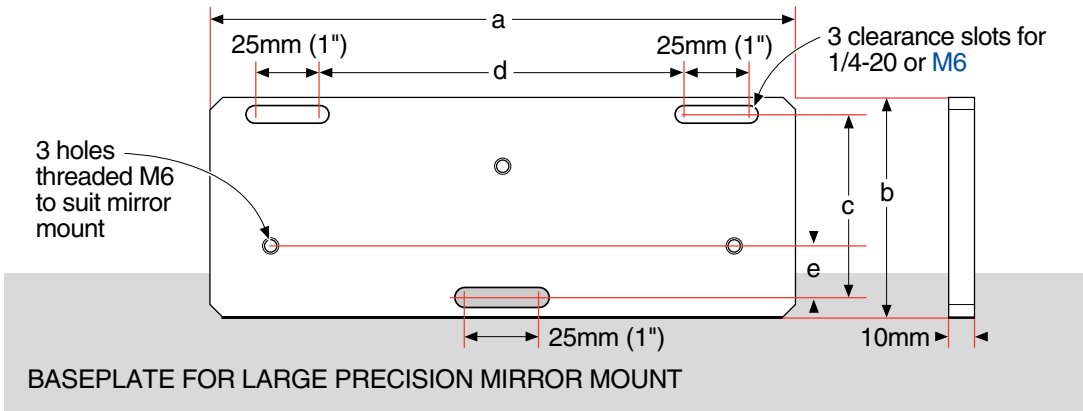
	4inch	6inch	8inch	10inch
Range	$\pm 6^\circ$	$\pm 4^\circ$	$\pm 3.5^\circ$	$\pm 2.7^\circ$
Coarse per rotation	35arcmin	26arcmin	21arcmin	17arcmin
Fine per rotation	1arcmin	50arcsec	40arcsec	33arcsec
Sensitivity	2.7arcsec	2.0arcsec	1.6arcsec	1.3arcsec



LARGE PRECISION MIRROR MOUNT

ORDERING  
&  
TECHNICAL SUPPORT  
(949) 851-5881  
FAX (949) 851-5058  
E-MAIL  
sales@optosigma.com  
WEB  
www.optosigma.com





**Large Precision Mirror Mounts**

To Hold Mirror Diameter, D (inches) (mm)	Clear Aperture, A (mm)	Center Height, h (mm)	Maximum Mirror Thickness, t (mm)	Price	PART NUMBER
--	------------------------	-----------------------	----------------------------------	-------	-------------

4.0	101.6	90	90	28	112-4440
6.0	152.4	145	120	38	112-4450
8.0	203.2	185	150	44	112-4460
10.0	254.0	240	180	54	112-4470

Larger mounts up to 18 inch or 500mm diameter can be supplied on request.

**Baseplates for Large Precision Mirror Mounts**

	INCH	METRIC
--	------	--------

To Suit Mount Diameter, D (inches)	a (mm)	b (mm)	Dimension (mm)			Price	PART NUMBER	PART NUMBER
			c	d	e			

4.0	180	90	76.2	101.6	11.3		112-4441	-
4.0	180	90	75.0	100.0	11.3		-	112-4445
6.0	240	90	76.2	152.4	21.1		112-4451	-
6.0	240	120	100.0	150.0	21.1		-	112-4455
8.0	295	120	101.6	203.2	25.8		112-4461	-
8.0	295	120	100.0	200.0	25.8		-	112-4465
10.0	348	140	127.0	254.0	38.5		112-4471	-
10.0	348	140	125.0	250.0	38.5		-	112-4475

Our advanced optical coating facility is computer controlled to ensure the highest performance coatings and excellent repeatability. See coatings (page 14) and mirrors (page 110) for a complete product listing.



ORDERING & TECHNICAL SUPPORT  
 (949) 851-5881  
 FAX (949) 851-5058  
 E-MAIL sales@optosigma.com  
 WEB www.optosigma.com

