

Neutral Density Filter Wheels

- Convenient selection of ND filters from 0 to 3.0 OD
- Detent indexing for fast and easy positioning
- Pre-mounted filters reduce contamination from handling
- Double and single wheels for improved versatility



Our new indexed filter wheels contain a set of neutral density filters. These pre-mounted filters are available in complete 2-wheel or starter 1-wheel versions. Each filter wheel holds six, 1 inch (25mm) filters and is mechanically indexed with detents for ease of adjustment.

The 2-wheel version contains 10 filters of optical density 0.10, 0.22, 0.30, 0.40, 0.52, 1.00, 1.50, 2.00, 2.50. One space in each wheel is intentionally left empty so that the two filter wheels may be adjusted to provide optical densities from 0.0 to 3.0 in 0.1 increments. The 1-wheel version comes with 5 filters that allow for variation in optical density of 0 to 0.5 in 0.1 OD increments.

Both ND filter wheels may be configured conveniently to provide zero attenuation without removing the mount from your beam path. These filter wheels are also available without ND filters and may be used to hold spectral filters or plate beam splitters.

Specifications & Tolerances

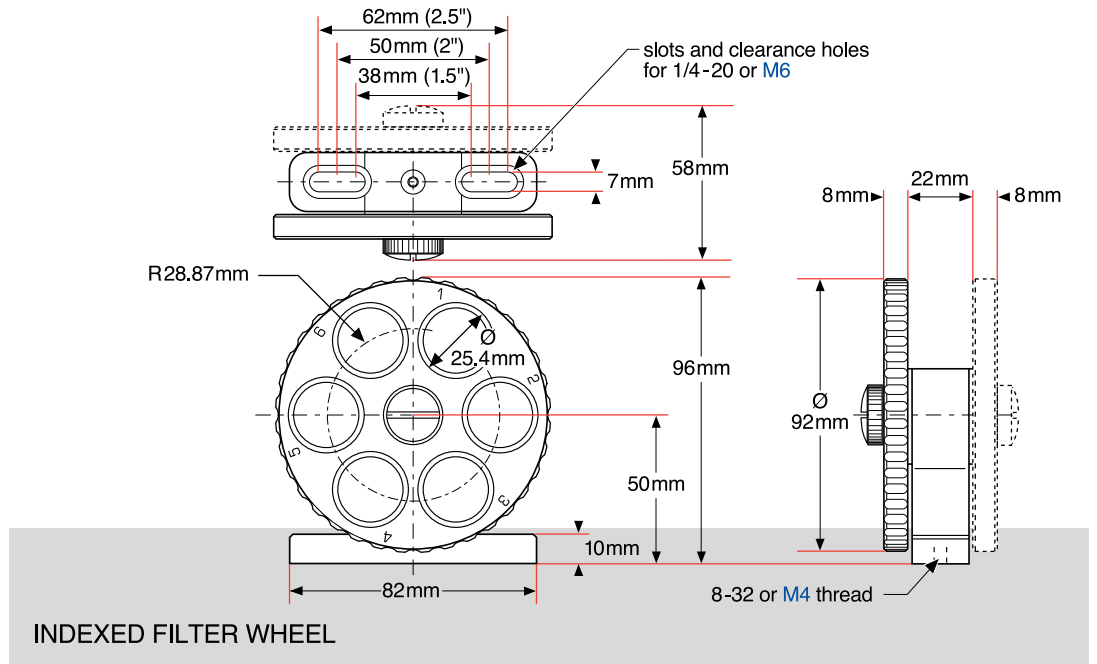
Dimensions: $\pm 0.2\text{mm}$
 Weight: Single: 1.0kg
 Double: 1.3kg
 Material: Aluminum
 Finish: Black anodized

ORDERING
&
TECHNICAL SUPPORT
(949) 851-5881
FAX (949) 851-5058
E-MAIL
sales@optosigma.com
WEB
www.optosigma.com

OPTICAL COMPONENTS

- Spherical Lenses
- Cylindrical Lenses
- Lens Kits
- Achromatic Doublets
- Multi-Element
- Micro Optics
- Mirrors
- Prisms
- Substrates & Windows
- Beamsplitters
- Polarizers
- Filter & Apertures**

Part No. 115-1211/1216/1221/1226



Filter Wheel Kits

ND Filter	Diameter (inches)	(mm)	Single Wheel	Double Wheel	PART NUMBER
Density = 0.10	9.84	25.0	1	1	078-0770
Density = 0.22	9.84	25.0	1	1	078-0760
Density = 0.30	9.84	25.0	1	1	078-0755
Density = 0.40	9.84	25.0	1	1	078-0750
Density = 0.52	9.84	25.0	1	2	078-0745
Density = 1.00	9.84	25.0		1	078-0735
Density = 1.50	9.84	25.0		1	078-0725
Density = 2.00	9.84	25.0		1	078-0720
Density = 2.50	9.84	25.0		1	078-0715

ORDERING
&
TECHNICAL SUPPORT
(949) 851-5881
FAX (949) 851-5058
E-MAIL
sales@optosigma.com
WEB
www.optosigma.com

Filter Wheels

Description	Filter Diameter (inches)	(mm)	Density	Price	INCH	METRIC
					PART NUMBER	PART NUMBER
Double Wheel w/ND Filters	1.0	25.4	0.00 - 3.00		115-1220	115-1225
Single Wheel w/ND Filters	1.0	25.4	0.00 - 0.50		115-1210	115-1215
Double Wheel, empty	1.0	25.4	-		115-1221	115-1226
Single Wheel, empty	1.0	25.4	-		115-1211	115-1216

