

Wollaston Prisms

- Evenly splits both polarizations into two divergent beams
- Available with 5, 10, 15 and 20 degree beam separation
- Mounted in a metal cell for convenience and protection
- Extinction ratio of 1×10^{-5}
- Handles power levels to 1 W/cm^2 CW, 5 W/cm^2 pulsed

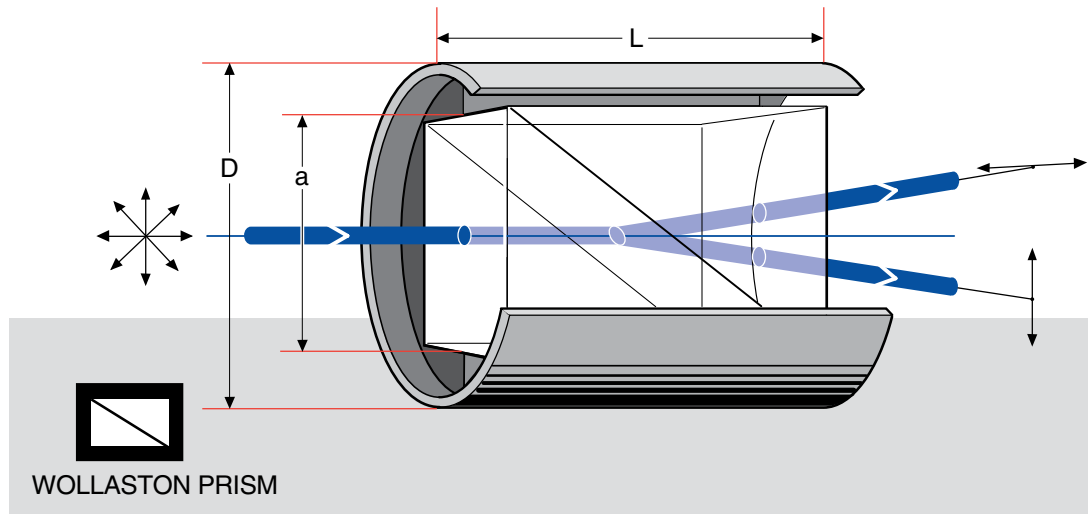


Wollaston Prisms split an incoming beam into two separate output beams of orthogonal polarization. The two beams have an angular separation which can be either 5, 10, 15 or 20 degrees and which is approximately symmetrical about the optical axis.

Specifications & Tolerances

Dimensions: $\pm 0.2 \text{ mm}$
 Surface quality: 40-20
 Extinction ratio: 1×10^{-5}
 Material: Optical quality natural calcite

Wavelength range: 320-2200nm
 Cell: Black finished aluminum
 Maximum power level: CW — 1 W/cm^2
 Pulsed — 5 W/cm^2



Wollaston Prisms

C E L L

Separation (deg)	Side, a (mm)	Asymmetry (arcmin)	Diameter, D (mm)	Length, L (mm)	Price	PART NUMBER
5	10.0	10	18.9	12.7		066-3330
5	12.0	10	22.0	16.0		066-3340
5	15.0	10	25.4	18.0		066-3350
5	20.0	10	34.8	22.0		066-3360
10	10.0	15	18.9	12.7		066-3370
10	12.0	15	22.0	18.0		066-3380
10	15.0	15	25.4	20.0		066-3390
10	20.0	15	34.8	22.0		066-3440
15	10.0	30	18.9	16.0		066-3450
15	12.0	30	22.0	19.0		066-3470
15	15.0	30	25.4	21.0		066-3480
15	20.0	30	34.8	25.4		066-3550
20	10.0	60	18.9	19.0		066-3560
20	12.0	60	22.0	23.0		066-3580
20	15.0	60	25.4	23.0		066-3590
20	20.0	60	34.8	32.0		066-3670

ORDERING
&
TECHNICAL SUPPORT
(949) 851-5881
FAX (949) 851-5058
E-MAIL
sales@optosigma.com
WEB
www.optosigma.com