

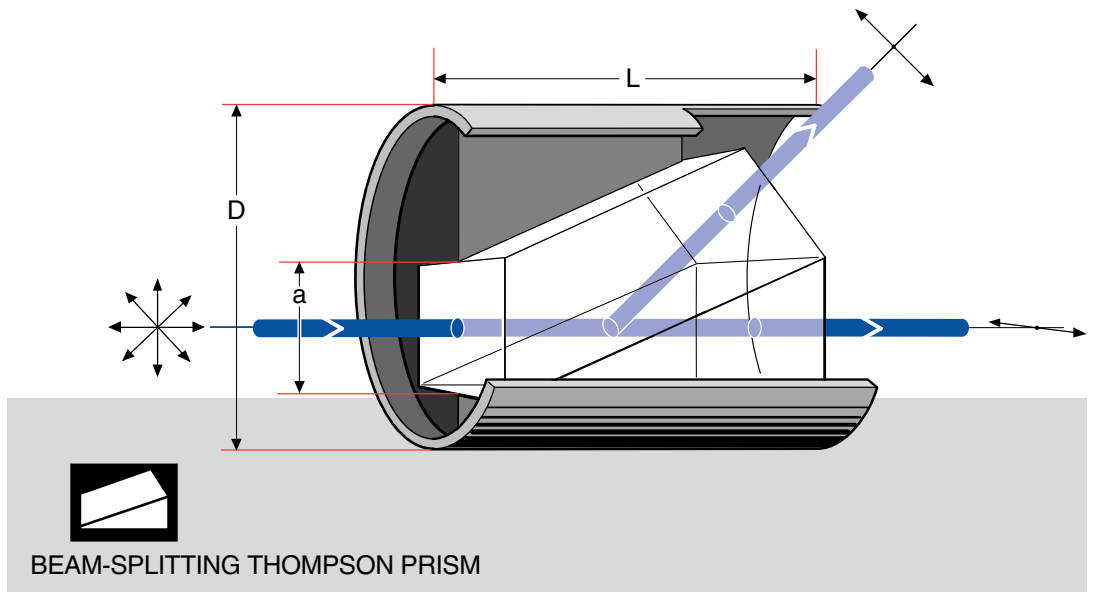
## Beamsplitting Thompson Prisms

- Made from the highest quality natural calcite
- Provides a full 45 degree split between the two polarizations
- Mounted in a metal cell for convenience and protection
- Available in three sizes: 8mm, 10mm and 12mm square

These are Glan Thompson prisms which are extended to have an output face polished normal to the exiting o-ray. By this means it is possible to obtain a 45 degree split between the two orthogonal polarizations.

### Specifications & Tolerances

Dimensions:  $\pm 0.2\text{mm}$   
 Angular separation:  $45^\circ$   
 Surface quality: 40-20  
 Extinction ratio:  $1 \times 10^{-5}$   
 Material: Optical quality natural calcite  
 Wavelength range: 350-2200nm  
 Asymmetry:  $1^\circ$   
 Cell: Black finished aluminum  
 Maximum power level: CW —  $1\text{W}/\text{cm}^2$   
                                   Pulsed —  $5\text{W}/\text{cm}^2$



ORDERING  
 &  
 TECHNICAL SUPPORT  
 (949) 851-5881  
 FAX (949) 851-5058  
 E-MAIL  
 sales@optosigma.com  
 WEB  
 www.optosigma.com

### Beamsplitting Thompson Prisms

CELL				
Side, a (mm)	Diameter, D (mm)	Length, L (mm)	Price	PART NUMBER
8.0	25.00	30.0		066-3770
10.0	31.75	35.0		066-3780
12.0	38.00	41.0		066-3790