



Glan Thompson Prisms

- Available with either 15 degree or 25 degree full angular fields
- Cemented surfaces handle up to $5\text{W}/\text{cm}^2$ pulsed
- E-ray transmittance better than 90%
- Provided in a convenient metal mounting cell

These polarizing prisms are the simplest form of calcite polarizer. They are cemented, making them only useful for relatively low power applications. They have a wide and symmetrical field of view and make extremely versatile general purpose polarizers. The o-ray is absorbed in the material surrounding the prism and the e-ray is transmitted. Two versions are offered having different length/aperture ratios and consequently different angular fields. These prisms are normally provided in a metal cell but since they are cemented together they can be supplied unmounted if required.

Specifications & Tolerances

Dimensions: $\pm 0.2\text{mm}$

Transmittance (e-ray): $>90\%$

Surface quality: 40-20

Extinction ratio: 1×10^{-5}

Short prism: Length/Aperture ratio: 2.5:1

Angular field: $\pm 7.5^\circ$

Polarization field: Symmetrical

Maximum power level:

CW — $1\text{W}/\text{cm}^2$

Pulsed — $5\text{W}/\text{cm}^2$

Wavelength range: 320-2300nm

Material: Optical quality natural calcite

Cell: Black finished aluminum

Maximum beam deviation: 2.5arcmin

Long prism: Length/Aperture ratio: 3:1

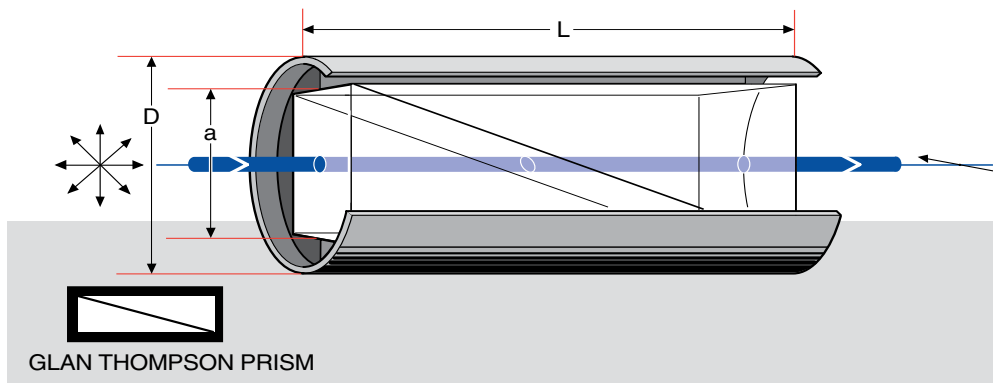
Angular field: $\pm 12.5^\circ$

Polarization field: Symmetrical

Maximum power level:

CW — $1\text{W}/\text{cm}^2$

Pulsed — $5\text{W}/\text{cm}^2$



Glan Thompson Prisms

C E L L

Length/ Aperture ratio	Side, a (mm)	Diameter, D (mm)	Length, L (mm)	Price	PART NUMBER
2.5	6.0	15.75	19.0		066-0120
2.5	8.0	18.90	24.9		066-0130
2.5	10.0	22.00	30.0		066-0150
2.5	12.0	25.40	35.0		066-0160
2.5	14.0	25.40	41.0		066-0170
3.0	6.0	15.75	22.0		066-0230
3.0	8.0	18.90	28.0		066-0240
3.0	10.0	22.00	35.0		066-0260
3.0	12.0	25.40	41.0		066-0270
3.0	14.0	25.40	46.0		066-0280

For unmounted prisms append **-U** and deduct \$50 from the price.

Spherical Lenses

Cylindrical Lenses

Lens Kits

Achromatic Doublets

Multi-Element

Micro Optics

Mirrors

Prisms

Substrates & Windows

Beamsplitters

Polarizers

Filter & Apertures

ORDERING
&
TECHNICAL SUPPORT
(949) 851-5881
FAX (949) 851-5058
E-MAIL
sales@optosigma.com
WEB
www.optosigma.com

 OptoSigma®