

Glan Taylor Prisms

- Available in both symmetrical and asymmetrical output configurations
- High extinction ratio of 5×10^{-5}
- Conveniently mounted in a metal cell
- Ideal for medium power applications requiring high performance
- Suitable for Ultra-Violet applications



These prisms are used in medium power applications requiring high transmission and a high degree of polarization purity. Like the Glan laser prisms they are air-spaced to minimize absorption losses. The two prism sections are mounted in absorbing black glass within the cell. Two types are offered — single and double. The single version is the simplest but the double version gives a perfectly symmetrical polarization field at the expense of a slight increase in Ultra-Violet absorption.

Specifications & Tolerances

Dimensions: $\pm 0.2\text{mm}$

Transmittance (e-ray): $>90\%$

Surface quality: 40-20

Extinction ratio: 5×10^{-5}

Single prism: Length/Aperture ratio: 0.85:1

Angular field: $\pm 4^\circ$

Polarization field: Asymmetrical

Maximum power level:

CW — $2\text{W}/\text{cm}^2$

Pulsed — $10\text{W}/\text{cm}^2$

Wavelength range: 215-2300nm

Material: Optical quality natural calcite

Cell: Black finished aluminum

Maximum beam deviation: 3arcmin

Double prism: Length/Aperture ratio: 1.8:1

Angular field: $\pm 6^\circ$

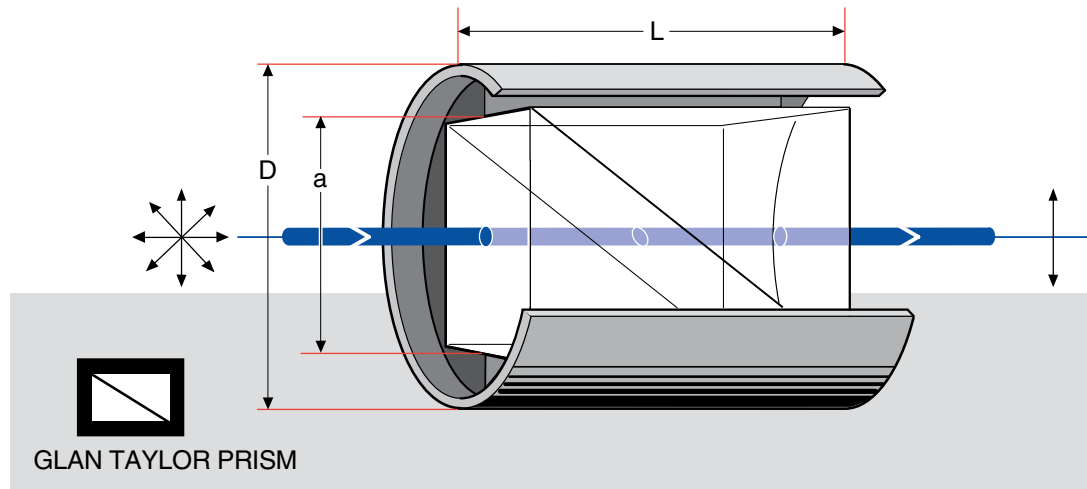
Polarization field:

Symmetrical

Maximum power level:

CW — $2\text{W}/\text{cm}^2$

Pulsed — $10\text{W}/\text{cm}^2$



ORDERING
&
TECHNICAL SUPPORT
(949) 851-5881
FAX (949) 851-5058

E-MAIL
sales@optosigma.com

WEB
www.optosigma.com



Glan Taylor Prisms

C E L L

Type	Prism Side, a (mm)	Diameter, D (mm)	Length, L (mm)	Price	PART NUMBER
Single	10.0	18.90	12.7		066-1120
Single	12.0	22.00	16.0		066-1130
Single	15.0	25.40	19.0		066-1140
Single	20.0	34.80	25.0		066-1160
Double	12.0	25.30	31.7		066-1220
Double	15.0	31.75	38.0		066-1230
Double	20.0	34.80	50.0		066-1240