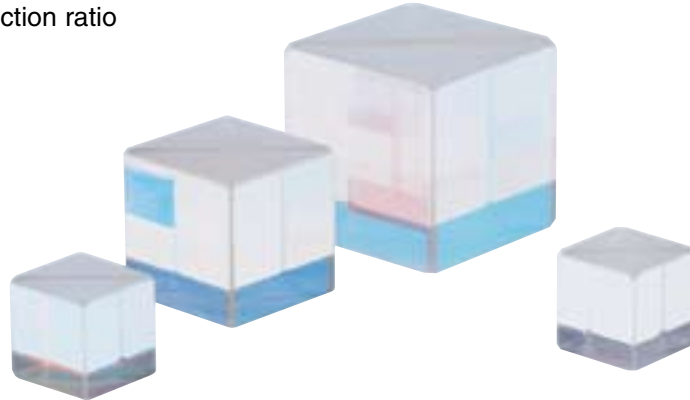


Broadband Polarizing Cube Beamsplitters

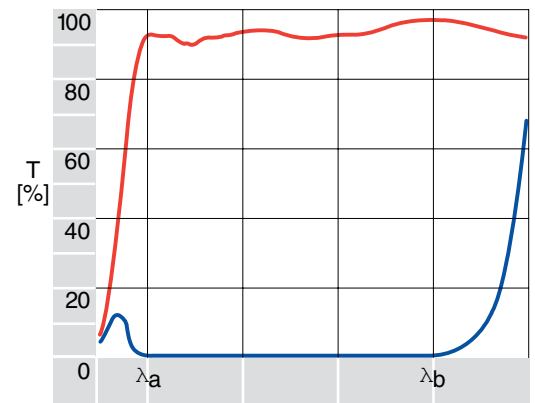
- Thin film polarizers for broadband use
- Three convenient wavebands cover most applications
- Laser quality and performance
- 100:1 Extinction ratio



These thin film cube beamsplitters combine the excellent characteristics of the laser polarizing beamsplitters previously described with the advantage of broadband application. The polarizing film is fully protected within the cube making them durable and convenient to use. Three wavebands have been chosen to cover most general applications: 450-680 covers the visible spectrum and a wide selection of laser wavelengths, 650-850 covers most visible range diode lasers and 1300-1600 covers most telecommunications band diode lasers. Although these polarizers will work well over the entire broadband specified they are manufactured to laser performance standards.

Specifications & Tolerances

Dimensions: $\pm 0.2\text{mm}$
 Surface flatness: $\lambda/4$
 Beam deviation: $\leq 10\text{arcmin}$
 Surface quality: 40-20
 Material: BK7
 Coating: Broadband multilayer
 Anti-Reflection on faces
 Extinction ratio: 100:1



Wavelength [nm]

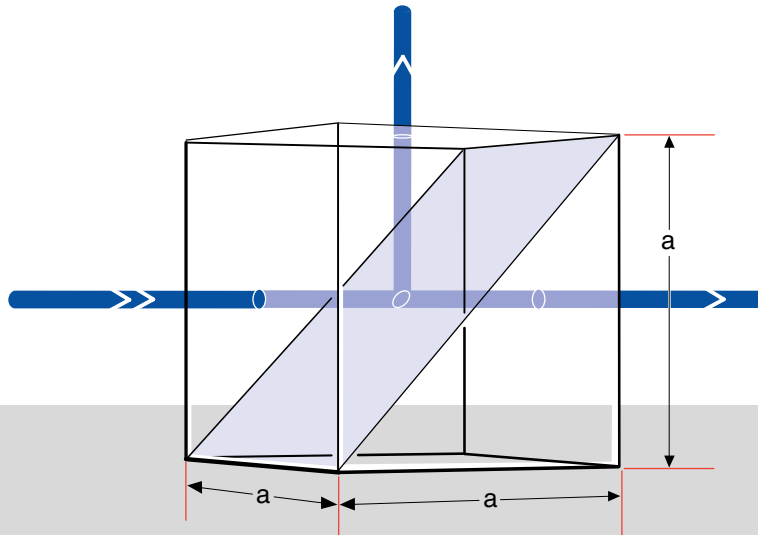
BROADBAND POLARIZING
 BEAMSPLITTER
 TRANSMITTANCE

P-POL ————
 S-POL ————



If you need one of our beamsplitters as soon as possible - just ask for next-day delivery. We try very hard to keep all of our precision beamsplitters in stock for immediate shipment. So you won't find yourself caught trying to finish a project without the correct product.

ORDERING
 &
 TECHNICAL SUPPORT
 (949) 851-5881
 FAX (949) 851-5058
 E-MAIL
 sales@optosigma.com
 WEB
 www.optosigma.com



BROADBAND POLARIZING BEAMSPLITTER

Broadband Polarizing Cube Beamsplitters

| Wavelength Range (nm) | Side, a (mm) | Price | PART NUMBER |
|-----------------------|--------------|-------|-------------|
| 450-680 | 10.0 | | 067-2220 |
| 450-680 | 15.0 | | 067-2230 |
| 450-680 | 20.0 | | 067-2240 |
| 650-850 | 10.0 | | 067-2270 |
| 650-850 | 15.0 | | 067-2280 |
| 650-850 | 20.0 | | 067-2290 |
| 1300-1600 | 10.0 | | 067-2350 |
| 1300-1600 | 15.0 | | 067-2360 |
| 1300-1600 | 20.0 | | 067-2370 |



Our beamsplitter cube assembly takes place in a clean room environment to ensure high quality.

ORDERING
&
TECHNICAL SUPPORT
(949) 851-5881
FAX (949) 851-5058
E-MAIL
sales@optosigma.com
WEB
www.optosigma.com