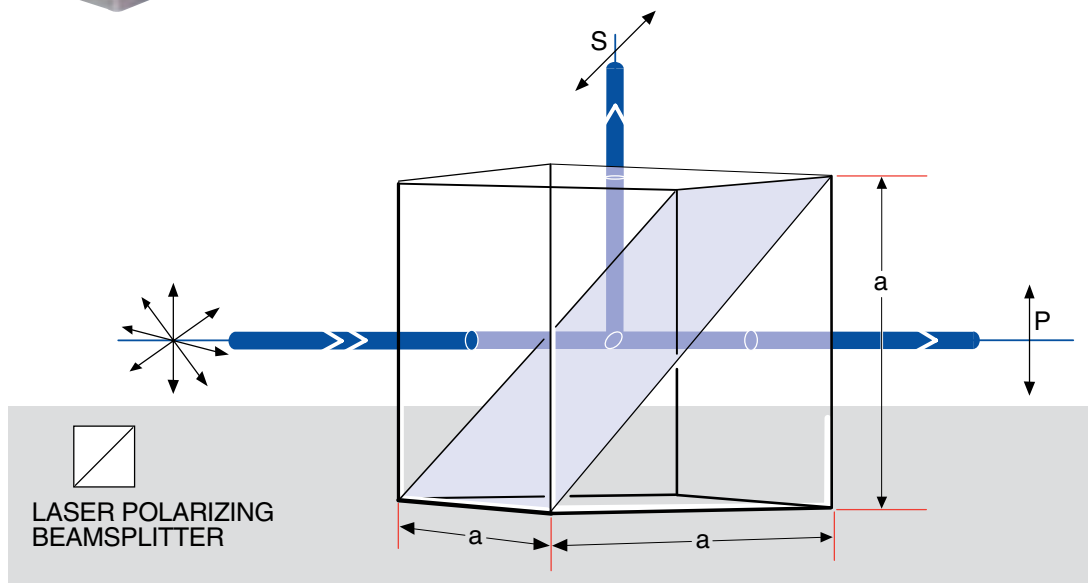
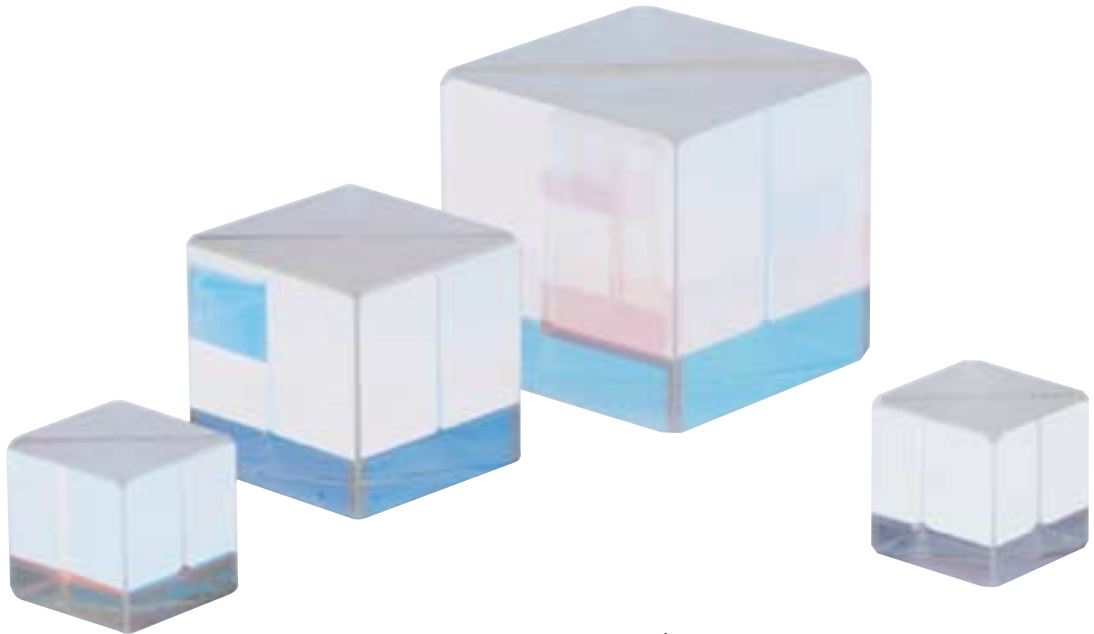


Laser Polarizing Cube Beamsplitters

- Thin film polarizers optimized for use at popular laser wavelengths
- Transmitted extinction ratio of better than 2.5×10^{-3}
- Reflected extinction ratio of better than 2×10^{-2}
- Polarizing film mounted on the internal face of a cube beamsplitter
- Multilayer high efficiency narrowband Anti-Reflection coatings on all faces

These are thin film polarizers constructed as a cube. Thin film polarizers utilize the polarization which occurs on reflection from a plane surface. By combining a large number of such surfaces in a stack it is possible to obtain useful extinction ratios. The s-polarization is more than 99% reflected while the p-polarization can be suppressed in the reflected beam and become 95% transmitted. Thin film polarizers can be optimized for a particular wavelength to give superior performance for laser applications.



ORDERING
&
TECHNICAL SUPPORT

(949) 851-5881

FAX (949) 851-5058

E-MAIL

sales@optosigma.com

WEB

www.optosigma.com

Specifications & Tolerances

Dimensions: $\pm 0.2\text{mm}$

Surface flatness: $\lambda/4$

Beam deviation: $\leq 10\text{arcmin}$

Asymmetry: 1°

Surface quality: 40-20

Material: BK7

Coating: Narrowband multilayer

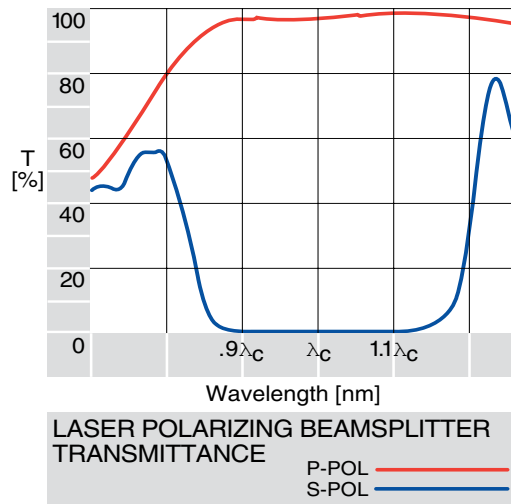
Anti-Reflection on faces

Extinction ratio: $T_s < 2.5 \times 10^{-3}, < 5 \times 10^{-3}$

@1064 nm $R_p < 2 \times 10^{-2}$

Damage threshold: $< 100\text{mJ/cm}^2$ in 10ns

@1064nm



Spherical Lenses
Cylindrical Lenses
Lens Kits
Achromatic Doublets
Multi-Element
Micro Optics
Mirrors
Prisms
Substrates & Windows
Beamsplitters
Polarizers
Filter & Apertures

Laser Polarizing Cube Beamsplitters (continued)

Wavelength Range (nm)	Laser Type	Cube Side, a (mm)	Material	Surface Flatness	Price	PART NUMBER
405	LD	10.0	BK7	$\lambda/4$		067-0100
405	LD	15.0	BK7	$\lambda/4$		067-0105
405	LD	20.0	BK7	$\lambda/4$		067-0110
441.6	HeCd	10.0	BK7	$\lambda/4$		067-0120
441.6	HeCd	15.0	BK7	$\lambda/4$		067-0130
441.6	HeCd	20.0	BK7	$\lambda/4$		067-0140
458	HeCd	10.0	BK7	$\lambda/4$		067-0170
458	HeCd	15.0	BK7	$\lambda/4$		067-0180
458	HeCd	20.0	BK7	$\lambda/4$		067-0190
488	Ar Ion	10.0	BK7	$\lambda/4$		067-0230
488	Ar Ion	15.0	BK7	$\lambda/4$		067-0240
488	Ar Ion	20.0	BK7	$\lambda/4$		067-0250
514.5	Ar Ion	10.0	BK7	$\lambda/4$		067-0280
514.5	Ar Ion	15.0	BK7	$\lambda/4$		067-0290
514.5	Ar Ion	20.0	BK7	$\lambda/4$		067-0330
532	YAG 2nd	10.0	BK7	$\lambda/4$		067-0360
532	YAG 2nd	12.7	BK7	$\lambda/4$		067-0365
532	YAG 2nd	15.0	BK7	$\lambda/4$		067-0370
532	YAG 2nd	20.0	BK7	$\lambda/4$		067-0380
632.8	HeNe	5.0	BK7	$\lambda/4$		067-0440
632.8	HeNe	10.0	BK7	$\lambda/4$		067-0450
632.8	HeNe	12.7	BK7	$\lambda/4$		067-0455
632.8	HeNe	15.0	BK7	$\lambda/4$		067-0460
632.8	HeNe	20.0	BK7	$\lambda/4$		067-0470
670	Diode	5.0	BK7	$\lambda/4$		067-0490
670	Diode	10.0	BK7	$\lambda/4$		067-0492
670	Diode	12.7	BK7	$\lambda/4$		067-0493
670	Diode	15.0	BK7	$\lambda/4$		067-0494
670	Diode	20.0	BK7	$\lambda/4$		067-0496
780	Diode	5.0	BK7	$\lambda/4$		067-0550
780	Diode	10.0	BK7	$\lambda/4$		067-0560

Please call if you need polarizing beamsplitters for other wavelengths, other sizes, or other configurations. We believe that you will be pleased by our competitive prices for volume requirements.

ORDERING
&
TECHNICAL SUPPORT
(949) 851-5881
FAX (949) 851-5058
E-MAIL
sales@optosigma.com
WEB
www.optosigma.com

Spherical Lenses

Cylindrical Lenses

Lens Kits

Achromatic Doublets

Multi-Element

Micro Optics

Mirrors

Prisms

Substrates & Windows

Beamsplitters

Polarizers

Filter & Apertures

Laser Polarizing Cube Beamsplitters (continued)

Wavelength Range (nm)	Laser Type	Cube Side, a (mm)	Material	Surface Flatness	Price	PART NUMBER
780	Diode	12.7	BK7	$\lambda/4$		067-0565
780	Diode	15.0	BK7	$\lambda/4$		067-0570
780	Diode	20.0	BK7	$\lambda/4$		067-0580
830	Diode	5.0	BK7	$\lambda/4$		067-0670
830	Diode	10.0	BK7	$\lambda/4$		067-0680
830	Diode	12.7	BK7	$\lambda/4$		067-0685
830	Diode	15.0	BK7	$\lambda/4$		067-0690
830	Diode	20.0	BK7	$\lambda/4$		067-0770
1064	YAG	10.0	BK7	$\lambda/4$		067-1030
1064	YAG	15.0	BK7	$\lambda/4$		067-1050
1064	YAG	20.0	BK7	$\lambda/4$		067-1060
1300	Diode	5.0	BK7	$\lambda/4$		067-1130
1300	Diode	10.0	BK7	$\lambda/4$		067-1140
1300	Diode	12.7	BK7	$\lambda/4$		067-1145
1300	Diode	15.0	BK7	$\lambda/4$		067-1150
1300	Diode	20.0	BK7	$\lambda/4$		067-1160
1321-1343	Diode	5.0	BK7	$\lambda/4$		067-1170
1321-1343	Diode	10.0	BK7	$\lambda/4$		067-1172
1321-1343	Diode	12.7	BK7	$\lambda/4$		067-1173
1321-1343	Diode	15.0	BK7	$\lambda/4$		067-1174
1321-1343	Diode	20.0	BK7	$\lambda/4$		067-1176
1550	Diode	5.0	BK7	$\lambda/4$		067-1190
1550	Diode	10.0	BK7	$\lambda/4$		067-1220
1550	Diode	12.7	BK7	$\lambda/4$		067-1225
1550	Diode	15.0	BK7	$\lambda/4$		067-1230
1550	Diode	20.0	BK7	$\lambda/4$		067-1240

Please call if you need polarizing beamsplitters for other wavelengths, other sizes, or other configurations. We believe that you will be pleased by our competitive prices for volume requirements.

Polarizing beamsplitters for other sizes and wavelengths can be produced to special order. Please call.

ORDERING
&
TECHNICAL SUPPORT
(949) 851-5881
FAX (949) 851-5058
E-MAIL
sales@optosigma.com
WEB
www.optosigma.com

