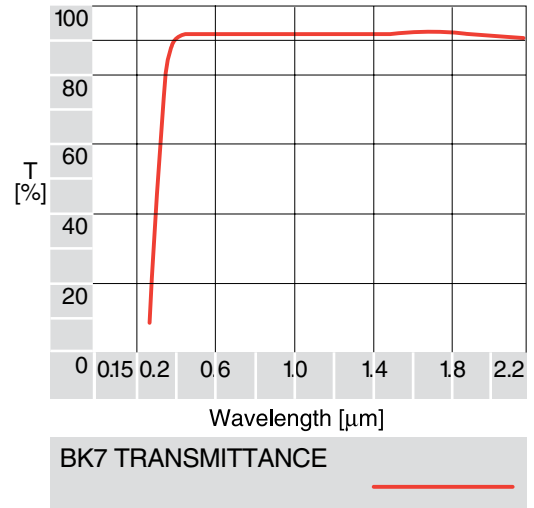


- Spherical Lenses
- Cylindrical Lenses
- Lens Kits
- Achromatic Doublets
- Multi-Element
- Micro Optics
- Mirrors
- Prisms
- Substrates & Windows
- Beamsplitters
- Polarizers
- Filter & Apertures

## Glass Windows

- High quality optical glass
- Economical
- Suitable for Anti-Reflection coating

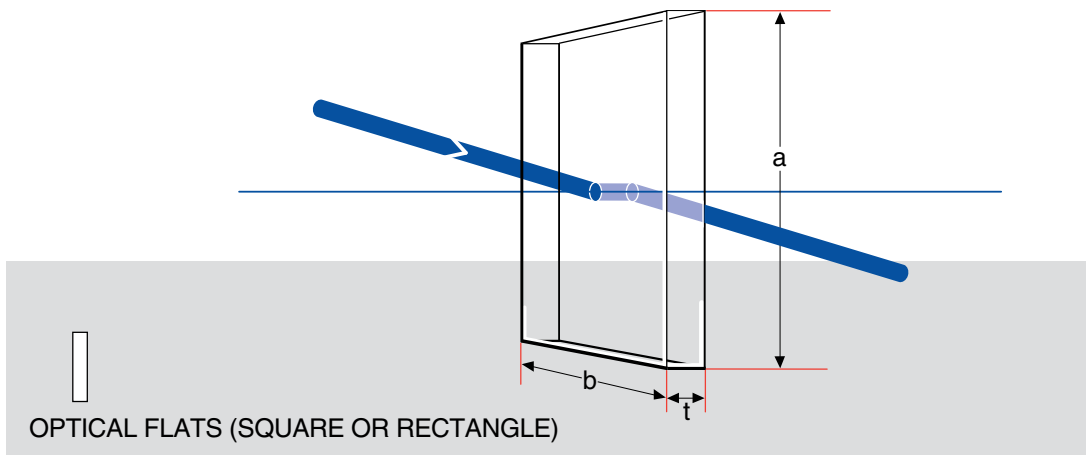
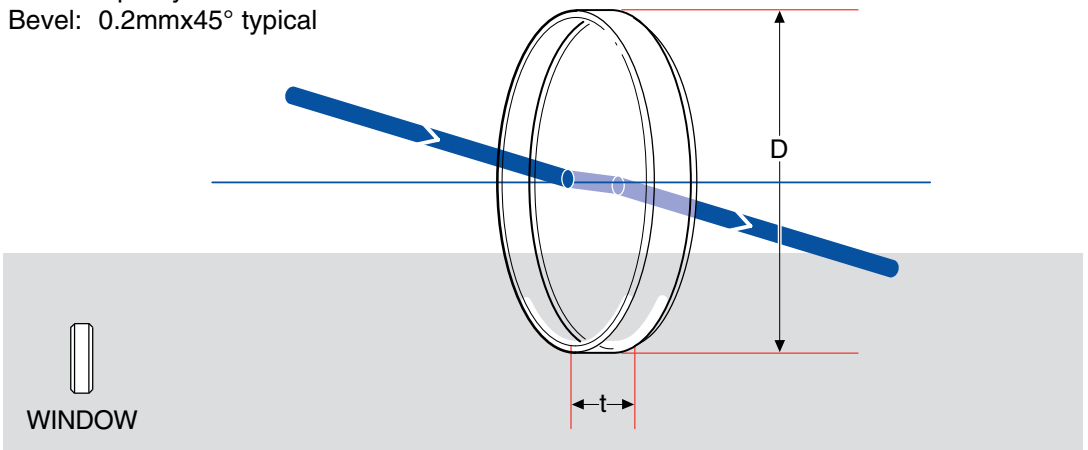
These superior glass windows are made from the best quality BK7. This material is very homogeneous and free from internal defects. The windows are precision polished on both surfaces and held parallel to  $\leq 3\text{arcmin}$ .  $\lambda/10$  transmitted wavefront distortion is usually preferred but  $\lambda/4$  is offered as an option when this is not an issue. Anti-Reflection coatings can be applied to these windows for a small additional cost (see pages 18 and 19).



### Specifications & Tolerances

Material: BK7 grade A optical glass  
 Refractive index: 1.52 @500nm  
 Dimension:  $\leq 50.8\text{mm}$ ,  $\leq 50 \times 50 +0, -0.1\text{mm}$   
 $\geq 60\text{mm}$ ,  $\geq 60 \times 60 +0, -0.2\text{mm}$   
 Thickness:  $\leq 50.8\text{mm}$ ,  $\leq 50 \times 50 \pm 0.1\text{mm}$   
 $\geq 60\text{mm}$ ,  $\geq 60 \times 60 \pm 0.2\text{mm}$   
 Surface flatness:  $\lambda/20$ ,  $\lambda/10$ ,  $\lambda/4$   
 Surface quality: 10-5  
 Bevel: 0.2mmx45° typical

*We have a very large assortment of uncoated plano-plano glass and fused silica substrates that are ideal for many window applications. If you don't see the exact size or shape of window that you need, please let us know. And if you have OEM window requirements, we can provide you with a very competitive quotation — and reliable delivery performance.*



ORDERING  
&  
TECHNICAL SUPPORT  
(949) 851-5881  
FAX (949) 851-5058  
E-MAIL  
sales@optosigma.com  
WEB  
www.optosigma.com



## Glass Windows, Square and Rectangular

Size, a x b (mm)	Thickness, t (mm)	Surface Flatness	Parallelism (arcsec)	Price	PART NUMBER
10 x 10	2.0	$\lambda/20$	$\leq 2$		044-1911
10 x 10	3.0	$\lambda/20$	$\leq 2$		044-1912
10 x 10	5.0	$\lambda/20$	$\leq 2$		044-1914
15 x 15	3.0	$\lambda/20$	$\leq 2$		044-1922
15 x 15	5.0	$\lambda/20$	$\leq 2$		044-1924
20 x 20	3.0	$\lambda/20$	$\leq 2$		044-1932
20 x 20	5.0	$\lambda/20$	$\leq 2$		044-1934
25 x 25	5.0	$\lambda/20$	$\leq 2$		044-1935
30 x 30	5.0	$\lambda/20$	$\leq 2$		044-1944
40 x 40	6.0	$\lambda/20$	$\leq 2$		044-1955
50 x 50	8.0	$\lambda/20$	$\leq 2$		044-1967
10 x 10	1.0	$\lambda/10$	$\leq 5$		044-1132
10 x 10	2.0	$\lambda/10$	$\leq 5$		044-1133
10 x 10	3.0	$\lambda/10$	$\leq 5$		044-1134
10 x 10	5.0	$\lambda/10$	$\leq 5$		044-1135
10 x 20	5.0	$\lambda/10$	$\leq 5$		044-1140
15 x 15	2.0	$\lambda/10$	$\leq 5$		044-1145
15 x 15	3.0	$\lambda/10$	$\leq 5$		044-1146
15 x 15	5.0	$\lambda/10$	$\leq 5$		044-1147
15 x 30	5.0	$\lambda/10$	$\leq 5$		044-1150
20 x 20	2.0	$\lambda/10$	$\leq 5$		044-1155
20 x 20	3.0	$\lambda/10$	$\leq 5$		044-1156
20 x 20	5.0	$\lambda/10$	$\leq 5$		044-1157
20 x 35	5.0	$\lambda/10$	$\leq 5$		044-1160
25 x 25	3.0	$\lambda/10$	$\leq 5$		044-1105
25 x 25	5.0	$\lambda/10$	$\leq 5$		044-1110
25 x 40	6.0	$\lambda/10$	$\leq 5$		044-1170
30 x 30	3.0	$\lambda/10$	$\leq 5$		044-1175
30 x 30	5.0	$\lambda/10$	$\leq 5$		044-1177
30 x 50	8.0	$\lambda/10$	$\leq 5$		044-1180
40 x 40	4.0	$\lambda/10$	$\leq 5$		044-1185
40 x 40	6.0	$\lambda/10$	$\leq 5$		044-1187
50 x 50	5.0	$\lambda/10$	$\leq 5$		044-1118
50 x 50	8.0	$\lambda/10$	$\leq 5$		044-1120
10 x 10	1.0	$\lambda/4$	$\leq 5$		044-1610
10 x 10	2.0	$\lambda/4$	$\leq 5$		044-1611
10 x 10	3.0	$\lambda/4$	$\leq 5$		044-1622
10 x 10	5.0	$\lambda/4$	$\leq 5$		044-1624
15 x 15	2.0	$\lambda/4$	$\leq 5$		044-1631
15 x 15	3.0	$\lambda/4$	$\leq 5$		044-1632
15 x 15	5.0	$\lambda/4$	$\leq 5$		044-1634
20 x 20	2.0	$\lambda/4$	$\leq 5$		044-1641
20 x 20	3.0	$\lambda/4$	$\leq 5$		044-1642
20 x 20	5.0	$\lambda/4$	$\leq 5$		044-1644
25 x 25	3.0	$\lambda/4$	$\leq 5$		044-1652
25 x 25	5.0	$\lambda/4$	$\leq 5$		044-1654
30 x 30	3.0	$\lambda/4$	$\leq 5$		044-1662
30 x 30	5.0	$\lambda/4$	$\leq 5$		044-1664
40 x 40	4.0	$\lambda/4$	$\leq 5$		044-1673
40 x 40	6.0	$\lambda/4$	$\leq 5$		044-1675
50 x 50	5.0	$\lambda/4$	$\leq 5$		044-1684
50 x 50	8.0	$\lambda/4$	$\leq 5$		044-1687

Spherical Lenses

Cylindrical Lenses

Lens Kits

Achromatic Doublets

Multi-Element

Micro Optics

Mirrors

Prisms

Substrates &amp; Windows

Beamsplitters

Polarizers

Filter &amp; Apertures

ORDERING  
&  
TECHNICAL SUPPORT  
(949) 851-5881  
FAX (949) 851-5058  
E-MAIL  
sales@optosigma.com  
WEB  
www.optosigma.com

## Glass Windows, Circular

Spherical Lenses

Cylindrical Lenses

Lens Kits

Achromatic Doublets

Multi-Element

Micro Optics

Mirrors

Prisms

Substrates &amp; Windows

Beamsplitters

Polarizers

Filter &amp; Apertures

	Diameter, D (mm)	Thickness, t (mm)	Surface Flatness	Parallelism (arcsec)	Price	PART NUMBER
	10.0	2.0	$\lambda/20$	$\leq 2$		044-2110
	10.0	3.0	$\lambda/20$	$\leq 2$		044-2111
	10.0	5.0	$\lambda/20$	$\leq 2$		044-2105
	15.0	3.0	$\lambda/20$	$\leq 2$		044-2121
	15.0	5.0	$\lambda/20$	$\leq 2$		044-2123
	20.0	3.0	$\lambda/20$	$\leq 2$		044-2131
	30.0	5.0	$\lambda/20$	$\leq 2$		044-2141
	40.0	6.0	$\lambda/20$	$\leq 2$		044-2151
	50.0	8.0	$\lambda/20$	$\leq 2$		044-2161
	60.0	10.0	$\lambda/20$	$\leq 2$		044-2171
	80.0	12.0	$\lambda/20$	$\leq 2$		044-2181
	100.0	15.0	$\lambda/20$	$\leq 2$		044-2191
	10.0	1.0	$\lambda/10$	$\leq 5$		044-1205
	10.0	2.0	$\lambda/10$	$\leq 5$		044-1207
	10.0	3.0	$\lambda/10$	$\leq 5$		044-1210
	10.0	5.0	$\lambda/10$	$\leq 5$		044-1215
	12.7	3.0	$\lambda/10$	$\leq 5$		044-1220
	12.7	5.0	$\lambda/10$	$\leq 5$		044-1230
	15.0	2.0	$\lambda/10$	$\leq 5$		044-1235
	15.0	3.0	$\lambda/10$	$\leq 5$		044-1240
	15.0	5.0	$\lambda/10$	$\leq 5$		044-1250
	19.1	3.0	$\lambda/10$	$\leq 5$		044-1260
	19.1	5.0	$\lambda/10$	$\leq 5$		044-1270
	20.0	2.0	$\lambda/10$	$\leq 5$		044-1275
	20.0	3.0	$\lambda/10$	$\leq 5$		044-1280
	20.0	5.0	$\lambda/10$	$\leq 5$		044-1290
	25.0	2.0	$\lambda/10$	$\leq 5$		044-1295
	25.0	3.0	$\lambda/10$	$\leq 5$		044-1300
	25.0	5.0	$\lambda/10$	$\leq 5$		044-1310
	25.4	3.0	$\lambda/10$	$\leq 5$		044-1320
	25.4	5.0	$\lambda/10$	$\leq 5$		044-1330
	30.0	2.0	$\lambda/10$	$\leq 5$		044-1335
	30.0	3.0	$\lambda/10$	$\leq 5$		044-1340
	30.0	4.0	$\lambda/10$	$\leq 5$		044-1345
	30.0	5.0	$\lambda/10$	$\leq 5$		044-1350
	38.1	4.0	$\lambda/10$	$\leq 5$		044-1360
	38.1	6.0	$\lambda/10$	$\leq 5$		044-1370
	40.0	4.0	$\lambda/10$	$\leq 5$		044-1380
	40.0	6.0	$\lambda/10$	$\leq 5$		044-1390
	50.0	5.0	$\lambda/10$	$\leq 5$		044-1400
	50.0	8.0	$\lambda/10$	$\leq 5$		044-1410
	50.8	5.0	$\lambda/10$	$\leq 5$		044-1420
	50.8	8.0	$\lambda/10$	$\leq 5$		044-1430
	60.0	6.0	$\lambda/10$	$\leq 5$		044-1435
	60.0	10.0	$\lambda/10$	$\leq 5$		044-1437
	76.2	8.0	$\lambda/10$	$\leq 5$		044-1440
	76.2	12.0	$\lambda/10$	$\leq 5$		044-1450
	80.0	8.0	$\lambda/10$	$\leq 5$		044-1460
	80.0	12.0	$\lambda/10$	$\leq 5$		044-1470
	100.0	10.0	$\lambda/10$	$\leq 5$		044-1480
	100.0	15.0	$\lambda/10$	$\leq 5$		044-1490

ORDERING  
&  
TECHNICAL SUPPORT  
(949) 851-5881  
FAX (949) 851-5058

E-MAIL  
sales@optosigma.com

WEB  
www.optosigma.com

## Glass Windows, Circular (continued)

Diameter, D (mm)	Thickness, t (mm)	Surface Flatness	Parallelism (arcsec)	Price	PART NUMBER
130.0	13.0	$\lambda/10$	$\leq 5$		044-1492
130.0	18.0	$\lambda/10$	$\leq 5$		044-1493
150.0	15.0	$\lambda/10$	$\leq 5$		044-1495
150.0	20.0	$\lambda/10$	$\leq 5$		044-1496
10.0	1.0	$\lambda/4$	$\leq 5$		044-0100
10.0	2.0	$\lambda/4$	$\leq 5$		044-0105
10.0	3.0	$\lambda/4$	$\leq 5$		044-0119
10.0	5.0	$\lambda/4$	$\leq 5$		044-0120
12.7	3.0	$\lambda/4$	$\leq 5$		044-0121
12.7	5.0	$\lambda/4$	$\leq 5$		044-0122
15.0	2.0	$\lambda/4$	$\leq 5$		044-0106
15.0	3.0	$\lambda/4$	$\leq 5$		044-0123
15.0	5.0	$\lambda/4$	$\leq 5$		044-0124
19.1	3.0	$\lambda/4$	$\leq 5$		044-0126
19.1	5.0	$\lambda/4$	$\leq 5$		044-0127
20.0	2.0	$\lambda/4$	$\leq 5$		044-0125
20.0	3.0	$\lambda/4$	$\leq 5$		044-0128
20.0	5.0	$\lambda/4$	$\leq 5$		044-0129
25.0	2.0	$\lambda/4$	$\leq 5$		044-0133
25.0	3.0	$\lambda/4$	$\leq 5$		044-0130
25.0	5.0	$\lambda/4$	$\leq 5$		044-0135
25.4	3.0	$\lambda/4$	$\leq 5$		044-0140
25.4	5.0	$\lambda/4$	$\leq 5$		044-0145
30.0	2.0	$\lambda/4$	$\leq 5$		044-0146
30.0	3.0	$\lambda/4$	$\leq 5$		044-0150
30.0	4.0	$\lambda/4$	$\leq 5$		044-0151
30.0	5.0	$\lambda/4$	$\leq 5$		044-0153
38.1	4.0	$\lambda/4$	$\leq 5$		044-0155
38.1	6.0	$\lambda/4$	$\leq 5$		044-0157
40.0	3.0	$\lambda/4$	$\leq 5$		044-0159
40.0	4.0	$\lambda/4$	$\leq 5$		044-0160
40.0	6.0	$\lambda/4$	$\leq 5$		044-0163
50.0	3.0	$\lambda/4$	$\leq 5$		044-0168
50.0	5.0	$\lambda/4$	$\leq 5$		044-0170
50.0	8.0	$\lambda/4$	$\leq 5$		044-0173
50.8	5.0	$\lambda/4$	$\leq 5$		044-0175
50.8	8.0	$\lambda/4$	$\leq 5$		044-0177
60.0	6.0	$\lambda/4$	$\leq 5$		044-0178
60.0	10.0	$\lambda/4$	$\leq 5$		044-0179
76.2	8.0	$\lambda/4$	$\leq 5$		044-0180
76.2	12.0	$\lambda/4$	$\leq 5$		044-0183
80.0	8.0	$\lambda/4$	$\leq 5$		044-0190
80.0	12.0	$\lambda/4$	$\leq 5$		044-0193
100.0	10.0	$\lambda/4$	$\leq 5$		044-0220
100.0	15.0	$\lambda/4$	$\leq 5$		044-0223
130.0	13.0	$\lambda/4$	$\leq 5$		044-0195
130.0	18.0	$\lambda/4$	$\leq 5$		044-0196
150.0	15.0	$\lambda/4$	$\leq 5$		044-0198
150.0	20.0	$\lambda/4$	$\leq 5$		044-0199

Spherical Lenses

Cylindrical Lenses

Lens Kits

Achromatic Doublets

Multi-Element

Micro Optics

Mirrors

Prisms

Substrates &amp; Windows

Beamsplitters

Polarizers

Filter &amp; Apertures

For **broadband visible Anti-Reflection coatings** on both faces **append -A55** to part number and add \$30 for diameters up to 55mm and \$65 for up to 100mm, \$140.00 charge for larger sizes.



ORDERING  
&  
TECHNICAL SUPPORT  
(949) 851-5881  
FAX (949) 851-5058  
E-MAIL  
sales@optosigma.com  
WEB  
www.optosigma.com