

Spherical Lenses

Cylindrical Lenses

Lens Kits

Achromatic Doublets

Multi-Element

Micro Optics

**Mirrors**

Prisms

Substrates &amp; Windows

Beamsplitters

Polarizers

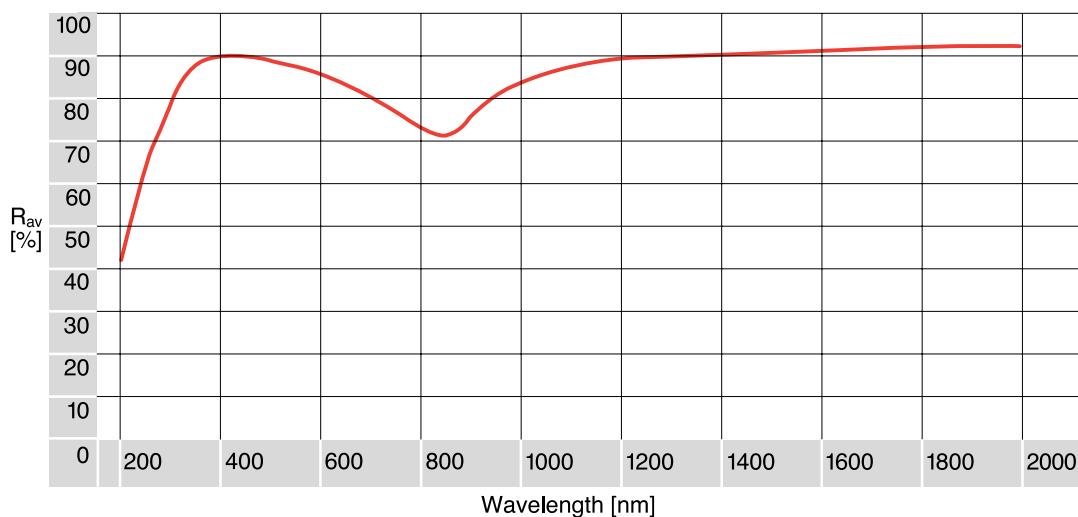
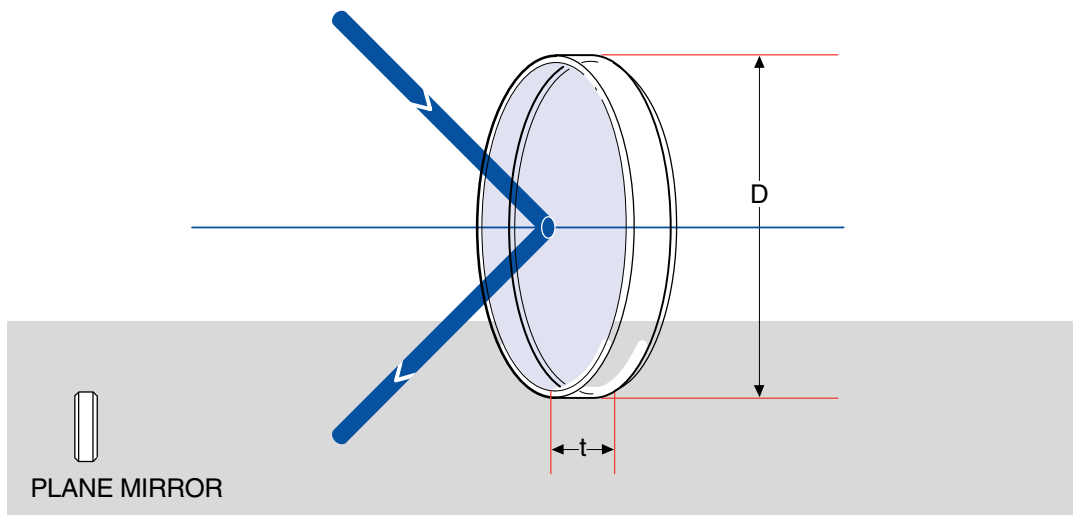
Filter &amp; Apertures

## Metallized Mirrors, Round

- High reflectance over entire visible and NIR spectrum
- Aluminum overcoated with  $MgF_2$  for high durability
- Ideal for non-critical applications
- Available with  $\lambda/4$ ,  $\lambda/10$ , and  $\lambda/20$  surface flatness
- Synthetic quartz and Zerodur® available for high thermal stability
- Standard diameters from 5.0 to 152.4mm

### Specifications & Tolerances

Surface flatness:  $\lambda/4$ ,  $\lambda/10$ ,  $\lambda/20$       Diameter: +0, -0.2mm  
 Surface quality: 40-20      Parallelism:  $\leq 3$ arcmin  
 Thickness:  $\pm 0.1$ mm  
 Clear aperture: >90% diameter  
 Bevel: 0.2mmx45° typical  
 Laser damage threshold: 0.4J/cm<sup>2</sup> for 532nm @10ns pulse  
 Durability: to MIL-C-675  
 Reflectance: R>88% (350-2000nm)



ALUMINUM COATING REFLECTIVITY

Al + MgF<sub>2</sub> ———

ORDERING  
&  
TECHNICAL SUPPORT  
(949) 851-5881  
FAX (949) 851-5058  
E-MAIL  
sales@optosigma.com  
WEB  
www.optosigma.com



Spherical Lenses  
Cylindrical Lenses  
Lens Kits  
Achromatic Doublets  
Multi-Element  
Micro Optics

**Mirrors**

Prisms  
Substrates & Windows  
Beamsplitters  
Polarizers  
Filter & Apertures

**Metallized Mirrors, Round**

Flatness	Diameter, D (inches) (mm)		Thickness, t (mm)	Material	Price	PART NUMBER
$\lambda/4$	0.20	5.0	3.0	BK7		033-0230
$\lambda/4$	0.39	10.0	3.0	BK7		033-0240
$\lambda/4$	0.50	12.7	5.0	BK7		033-0250
$\lambda/4$	0.79	20.0	5.0	BK7		033-0260
$\lambda/4$	0.98	25.0	5.0	BK7		033-0270
$\lambda/4$	1.00	25.4	5.0	BK7		033-0280
$\lambda/4$	1.18	30.0	5.0	BK7		033-0290
$\lambda/4$	1.57	40.0	6.0	BK7		033-0330
$\lambda/4$	1.97	50.0	8.0	BK7		033-0340
$\lambda/4$	2.00	50.8	8.0	BK7		033-0350
$\lambda/4$	3.00	76.2	12.0	BK7		033-0355
$\lambda/4$	3.15	80.0	12.0	BK7		033-0360
$\lambda/4$	3.94	100.0	15.0	BK7		033-0370
$\lambda/4$	4.00	101.6	15.0	BK7		033-0375
$\lambda/4$	5.91	150.0	20.0	BK7		033-0380
$\lambda/4$	6.00	152.4	20.0	BK7		033-0385
$\lambda/10$	0.20	5.0	3.0	BK7		033-0440
$\lambda/10$	0.39	10.0	5.0	BK7		033-0450
$\lambda/10$	0.39	10.0	3.0	BK7		033-0460
$\lambda/10$	0.50	12.7	5.0	BK7		033-0470
$\lambda/10$	0.59	15.0	5.0	BK7		033-0480
$\lambda/10$	0.59	15.0	3.0	BK7		033-0490
$\lambda/10$	0.79	20.0	3.0	BK7		033-0550
$\lambda/10$	0.79	20.0	5.0	BK7		033-0560
$\lambda/10$	0.98	25.0	5.0	BK7		033-0570
$\lambda/10$	1.00	25.4	5.0	BK7		033-0660
$\lambda/10$	1.18	30.0	5.0	BK7		033-0670
$\lambda/10$	1.57	40.0	6.0	BK7		033-0680
$\lambda/10$	1.97	50.0	8.0	BK7		033-0770
$\lambda/10$	2.00	50.8	8.0	BK7		033-0780
$\lambda/10$	3.00	76.2	12.0	BK7		033-0790
$\lambda/10$	3.15	80.0	12.0	BK7		033-0890
$\lambda/10$	4.00	101.6	17.0	Zerodur®		033-1120
$\lambda/10$	6.00	152.4	25.0	Zerodur®		033-1140
$\lambda/20$	0.39	10.0	6.0	SFS		033-1145
$\lambda/20$	0.50	12.7	6.0	SFS		033-1150
$\lambda/20$	0.59	15.0	6.0	SFS		033-1153
$\lambda/20$	0.79	20.0	6.0	SFS		033-1155
$\lambda/20$	0.98	25.0	6.0	SFS		033-1160
$\lambda/20$	1.00	25.4	6.0	SFS		033-1170
$\lambda/20$	1.18	30.0	6.0	SFS		033-1175
$\lambda/20$	1.57	40.0	8.0	SFS		033-1180
$\lambda/20$	1.97	50.0	10.0	SFS		033-1190
$\lambda/20$	2.00	50.8	10.0	SFS		033-1220

ORDERING  
&  
TECHNICAL SUPPORT  
(949) 851-5881  
FAX (949) 851-5058  
E-MAIL  
sales@optosigma.com

WEB  
www.optosigma.com