

- Spherical Lenses
- Cylindrical Lenses
- Lens Kits
- Achromatic Doublets
- Multi-Element**
- Micro Optics
- Mirrors
- Prisms
- Substrates & Windows
- Beamsplitters
- Polarizers
- Filter & Apertures

*Biological microscope objective lenses are normally designed for use with a thin glass cover slide placed on top of the sample being examined. Biological and medical microscope objectives are designed specifically to correct this. Our point here is that you must be careful in selecting microscope objectives as focusing lenses for lasers. All of our microscope objective lenses are designed for use without a cover glass.*

ORDERING  
&  
TECHNICAL SUPPORT  
(949) 851-5881  
FAX (949) 851-5058  
E-MAIL  
sales@optosigma.com  
WEB  
www.optosigma.com



## Microscope Objectives

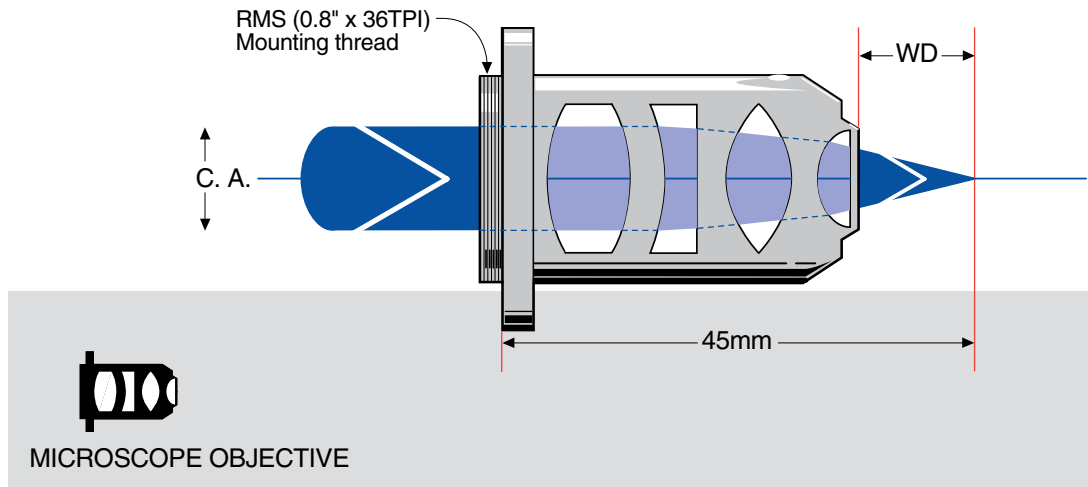
- Highly corrected and optimized for minimum spot size
- For use with most low power lasers with collimated output beams
- Standard microscope objective threads for easy mounting
- Fully color corrected for use throughout the visible



Microscope objectives are ideal for use as focusing lenses for low power lasers such as HeNe, HeCd, and N2. We offer a selection of precision achromatic objectives covering a range of numerical apertures. They are housed in conventional microscope barrels and fitted with a standard RMS microscope thread. The lenses are Anti-Reflection coated.

### Specifications & Tolerances

Shoulder to focus: 45mm      System length: 160mm  
Coating: SLAR 400-700nm      Barrel: Chromium plated



### Microscope Objectives

Power	N.A.	C.A.	Working Distance, WD (mm)	Price	PART NUMBER
4x	0.10	5.6	23.10		028-0140
10x	0.25	7.0	4.10		028-0160
20x	0.40	8.2	1.97		028-0220
40x	0.65	5.8	0.60		028-0240