

- Spherical Lenses
- Cylindrical Lenses
- Lens Kits
- Achromatic Doublets
- Multi-Element**
- Micro Optics
- Mirrors
- Prisms
- Substrates & Windows
- Beamsplitters
- Polarizers
- Filter & Apertures

Ultra-Violet Achromats

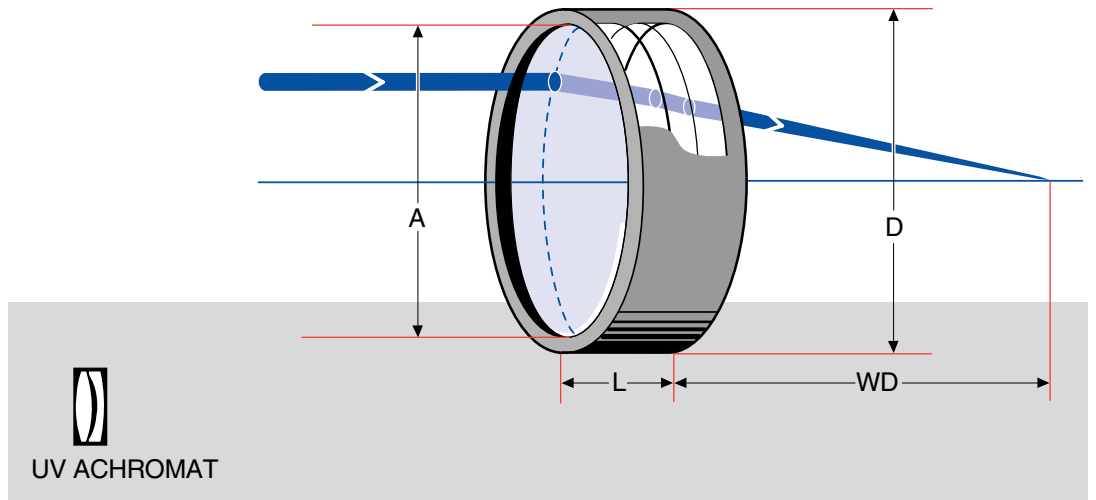
- Air-spaced design
- Corrected from 200 to 400nm
- Barrel mounted for ease of use
- Standard focal lengths from 50 to 300mm



The air-spaced design of these lenses using materials of different refractive index has produced a high degree of correction over a bandwidth of 200 to 400nm. These achromats may be used as laser focusing lenses or with broadband Ultra-Violet sources. A calcium fluoride bi-convex element and a fused silica meniscus element are mounted together in a plain barrel. The lenses are supplied uncoated. Optional Anti-Reflection coatings upon request.

Specifications & Tolerances

- Dimensions: $\pm 0.2\text{mm}$
- Focal length: $\pm 2\%$ @ 308nm
- Centration: $\leq 3\text{arcmin}$
- Materials: Synthetic fused silica and calcium fluoride
- Coating: Optional Anti-Reflection upon request



Ultra-Violet Achromats

Focal Length, f (mm)	Clear Aperture, A (mm)	Working Distance, WD (mm)	Cell Diameter, D (mm)	Cell Length, L (mm)	Price	PART NUMBER
50.4	27.0	40.7	34.0	17.0		027-3010
80.0	27.0	72.4	34.0	14.0		027-3015
100.1	27.0	92.5	34.0	13.0		027-3020
151.5	27.0	137.1	34.0	16.0		027-3025
200.3	27.0	185.2	34.0	16.0		027-3030
80.3	37.0	70.2	44.0	17.0		027-3035
100.0	37.0	87.7	44.0	18.0		027-3040
149.0	37.0	134.4	44.0	18.0		027-3045
201.2	37.0	185.5	44.0	18.0		027-3050
249.7	37.0	230.7	44.0	19.0		027-3055
100.8	47.0	89.1	54.0	20.0		027-3060
149.7	47.0	136.3	54.0	21.0		027-3065
200.0	47.0	179.9	54.0	22.0		027-3070
252.4	47.0	233.0	54.0	21.0		027-3075
300.9	47.0	278.8	54.0	22.0		027-3080

ORDERING
&
TECHNICAL SUPPORT

(949) 851-5881
FAX (949) 851-5058

E-MAIL
sales@optosigma.com

WEB
www.optosigma.com

