

Fused Silica Cylindrical Plano Concave Lenses

- Wide variety of focal lengths in precision fused silica
- Ideal for producing line images for scanning and projection
- Available with our complete range of Anti-Reflection coatings
- Special aspect ratios available for small and large quantities

We offer a selection of high precision cylindrical lenses, both positive and negative, in fused silica. These lenses are well suited for Ultra-Violet applications which require magnification in one dimension only.



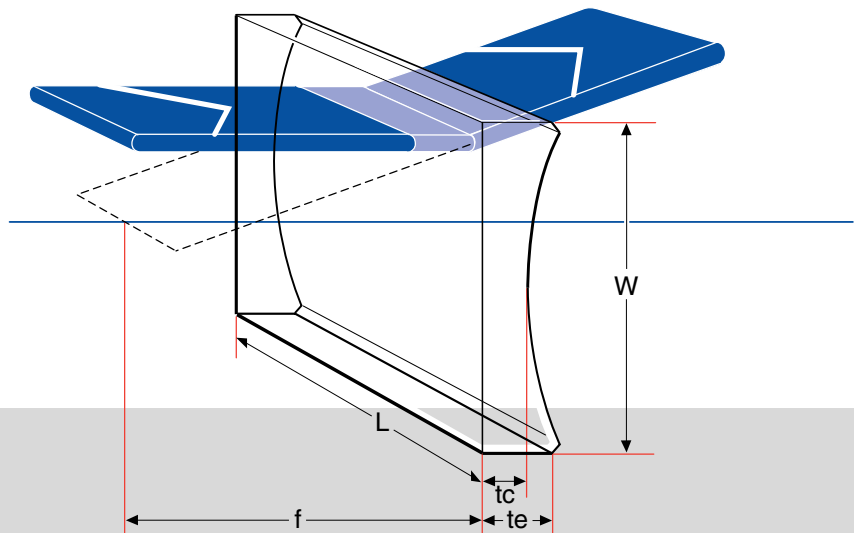
Cylindrical lenses are more difficult to manufacture than spherical lenses but we take great care to ensure that the lens power is confined to a single axis and that the lenses are tightly specified so that you can use them with confidence in a complex imaging system. The lenses we offer here represent some of the more general requirements of our customers. But please call if you need a different shape or size. The lenses are uncoated but our standard coatings may be applied by choice of the appropriate coating suffix (see pages 18 and 19).

Specifications & Tolerances

Focal length: $\pm 3\%$ @ 546.1nm
 Thickness: $\pm 0.2\text{mm}$
 Surface quality: 20-10
 Material: Synthetic fused silica

Dimensions: +0, -0.1mm
 Centration: $\leq 3\text{arcmin}$ and $\leq 0.1\text{mm}^*$
 Bevel: 0.2mm @ 45° typical
 Coating: Optional (see pages 18 and 19)

* Note that centration includes both an angular and linear component for cylindrical lenses



CYLINDRICAL PLANO CONCAVE LENS

ORDERING
&
TECHNICAL SUPPORT
(949) 851-5881
FAX (949) 851-5058
E-MAIL
sales@optosigma.com
WEB
www.optosigma.com

Fused Silica Cylindrical Plano Concave Lenses

f (mm)	W X L (mm)	te (mm)	tc (mm)	fb (mm)	r (mm)	Price	PART NUMBER
-15.0	10 x 10	4.0	1.9	-16.3	6.90		022-3330
-15.0	10 x 20	4.0	1.9	-16.3	6.90		022-3340
-20.0	10 x 10	3.0	1.5	-21.0	9.20		022-3350
-20.0	10 x 20	3.0	1.5	-21.0	9.20		022-3353
-20.0	15 x 15	6.0	2.1	-21.5	9.20		022-3355
-20.0	15 x 25	6.0	2.1	-21.5	9.20		022-3360
-25.0	10 x 10	3.0	1.9	-26.3	11.50		022-3380
-25.0	10 x 20	3.0	1.9	-26.3	11.50		022-3383
-25.0	15 x 15	5.0	2.2	-26.5	11.50		022-3385
-25.0	15 x 25	5.0	2.2	-26.5	11.50		022-3390
-25.0	20 x 20	7.0	1.2	-25.8	11.50		022-3391
-25.0	20 x 40	7.0	1.2	-25.8	11.50		022-3395
-30.0	10 x 10	3.0	2.1	-31.4	13.80		022-3420
-30.0	10 x 20	3.0	2.1	-31.4	13.80		022-3421
-30.0	15 x 15	4.0	1.8	-31.2	13.80		022-3422
-30.0	15 x 25	4.0	1.8	-31.2	13.80		022-3423
-30.0	20 x 20	6.0	1.7	-31.2	13.80		022-3424
-30.0	20 x 40	6.0	1.7	-31.2	13.80		022-3426
-40.0	10 x 10	3.0	2.3	-41.6	18.40		022-3440
-40.0	10 x 20	3.0	2.3	-41.6	18.40		022-3443
-40.0	15 x 15	4.0	2.4	-41.6	18.40		022-3445
-40.0	15 x 25	4.0	2.4	-41.6	18.40		022-3450
-40.0	20 x 20	5.0	2.0	-41.4	18.40		022-3453
-40.0	20 x 40	5.0	2.0	-41.1	18.40		022-3457
-50.0	20 x 20	4.0	1.7	-51.2	23.00		022-3460
-50.0	20 x 40	4.0	1.7	-51.2	23.00		022-3462
-50.0	30 x 30	7.0	1.4	-51.0	23.00		022-3463
-50.0	30 x 40	7.0	1.4	-51.0	23.00		022-3464
-60.0	20 x 20	4.0	2.1	-61.5	27.60		022-3470
-60.0	20 x 40	4.0	2.1	-61.5	27.60		022-3472
-60.0	30 x 30	6.0	1.6	-61.1	27.60		022-3473
-60.0	30 x 40	6.0	1.6	-61.1	27.60		022-3474
-70.0	20 x 20	4.0	2.4	-71.6	32.20		022-3475
-70.0	20 x 40	4.0	2.4	-71.6	32.20		022-3477
-70.0	30 x 30	6.0	2.3	-71.6	32.20		022-3478
-70.0	30 x 40	6.0	2.3	-71.6	32.20		022-3479
-80.0	20 x 20	5.0	2.6	-81.8	36.80		022-3480
-80.0	20 x 40	5.0	2.6	-81.8	36.80		022-3482
-80.0	30 x 30	5.0	1.8	-81.2	36.80		022-3484
-80.0	30 x 40	5.0	1.8	-81.2	36.80		022-3483
-100.0	20 x 20	4.0	2.9	-102.0	46.00		022-3490
-100.0	20 x 50	4.0	2.9	-102.0	46.00		022-3493
-100.0	30 x 30	5.0	2.5	-101.7	46.00		022-3494
-100.0	30 x 50	5.0	2.5	-101.7	46.00		022-3496
-130.0	20 x 20	4.0	3.2	-132.2	59.80		022-3550
-130.0	20 x 50	4.0	3.2	-132.2	59.80		022-3553
-130.0	30 x 30	5.0	3.1	-132.1	59.80		022-3554
-130.0	30 x 50	5.0	3.1	-132.1	59.80		022-3556

Spherical Lenses

Cylindrical Lenses

Lens Kits

Achromatic Doublets

Multi-Element

Micro Optics

Mirrors

Prisms

Substrates & Windows

Beamsplitters

Polarizers

Filter & Apertures

ORDERING
&
TECHNICAL SUPPORT
(949) 851-5881
FAX (949) 851-5058
E-MAIL
sales@optosigma.com
WEB
www.optosigma.com

Spherical Lenses

Cylindrical Lenses

Lens Kits

Achromatic Doublets

Multi-Element

Micro Optics

Mirrors

Prisms

Substrates & Windows

Beamsplitters

Polarizers

Filter & Apertures

Fused Silica Cylindrical Plano Concave Lenses (continued)

f (mm)	W X L (mm)	te (mm)	tc (mm)	fb (mm)	r (mm)	Price	PART NUMBER
-150.0	20 x 20	4.0	3.3	-152.2	69.00		022-3560
-150.0	20 x 50	4.0	3.3	-152.2	69.00		022-3565
-150.0	30 x 30	5.0	3.3	-152.3	69.00		022-3567
-150.0	30 x 50	5.0	3.3	-152.3	69.00		022-3570
-200.0	20 x 20	4.0	3.5	-202.4	92.00		022-3574
-200.0	20 x 50	4.0	3.5	-202.4	92.00		022-3577
-200.0	30 x 30	5.0	3.8	-202.6	92.00		022-3578
-200.0	30 x 50	5.0	3.8	-202.6	92.00		022-3580
-250.0	20 x 20	4.0	3.6	-252.4	115.00		022-3584
-250.0	20 x 50	4.0	3.6	-252.4	115.00		022-3587
-250.0	30 x 30	5.0	4.0	-252.8	115.00		022-3588
-250.0	30 x 50	5.0	4.0	-252.8	115.00		022-3590
-300.0	20 x 20	4.0	3.6	-302.5	138.00		022-3604
-300.0	20 x 50	4.0	3.6	-302.5	138.00		022-3607
-300.0	30 x 30	5.0	4.2	-302.9	138.00		022-3608
-300.0	30 x 50	5.0	4.2	-302.9	138.00		022-3610



Our optics are cleaned, inspected and coated in a clean room. The class 100 clean booths insure high quality coated optics for many applications. Please call with your requirements many of our products are in stock and if coating is needed can be coated quickly.

ORDERING
&
TECHNICAL SUPPORT
(949) 851-5881
FAX (949) 851-5058
E-MAIL
sales@optosigma.com
WEB
www.optosigma.com



Becoming your OEM supplier means winning your trust, both in our products and in our people. Please contact our technical sales staff or your local account manager and ask about our OEM volume discounts.

