

## Fused Silica Cylindrical Plano Convex Lenses

- Wide variety of focal lengths in precision fused silica
- Ideal for producing line images for scanning and projection
- Available with our complete range of Anti-Reflection coatings
- Special aspect ratios available for small and large quantities



We offer a selection of very precise cylindrical lenses, both positive and negative, in fused silica. These lenses are well suited for Ultra-Violet applications which require magnification in one dimension only.

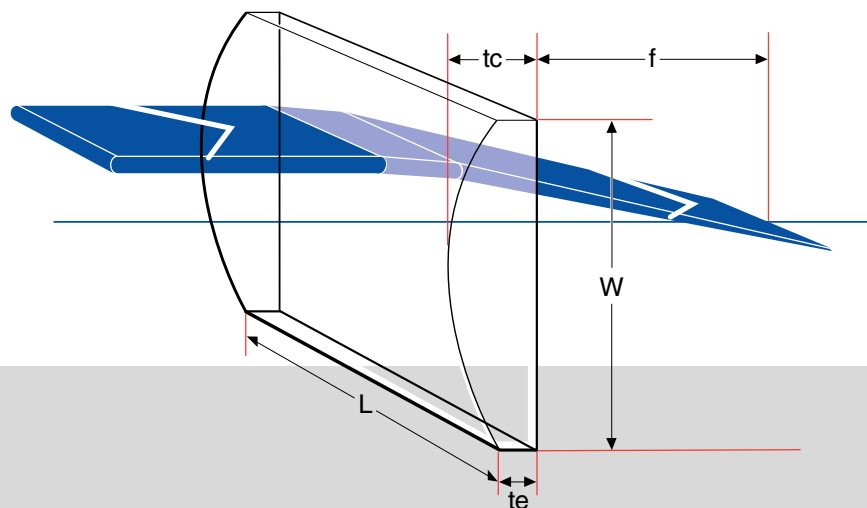
Cylindrical lenses are more difficult to manufacture than spherical lenses but we take great care to ensure that the lens power is confined to a single axis and that the lenses are tightly specified so that you can use them with confidence in a complex imaging system. The lenses we offer here represent some of the more general requirements of our customers. But please call if you need a different shape or size. The lenses are uncoated but our standard coatings may be applied by choice of the appropriate coating suffix (see pages 18 and 19).

### Specifications & Tolerances

Focal length:  $\pm 3\%$  @ 546.1nm  
 Thickness:  $\pm 0.2\text{mm}$   
 Centration:  $\leq 3\text{arcmin}$  and  $\leq 0.1\text{mm}^*$   
 Bevel:  $0.2\text{mm}$  @  $45^\circ$  typical  
 Coating: Optional (see pages 18 and 19)

Dimensions:  $<60 +0, -0.1\text{mm}$ ,  $61-80 +0, -0.15\text{mm}$   $81-100 +0, -0.2\text{mm}$   
 Surface quality: 20-10  
 Material: Synthetic fused silica

\* Note that centration includes both an angular and linear component for cylindrical lenses



CYLINDRICAL PLANO CONVEX LENS

ORDERING  
&  
TECHNICAL SUPPORT

(949) 851-5881

FAX (949) 851-5058

E-MAIL

sales@optosigma.com

WEB

www.optosigma.com

## Fused Silica Cylindrical Plano Convex Lenses

f (mm)	W X L (mm)	tc (mm)	te (mm)	fb (mm)	r (mm)	Price	PART NUMBER
15.0	10 x 10	4.0	1.9	12.3	6.90		022-2220
15.0	10 x 20	4.0	1.9	12.3	6.90		022-2230
15.0	10 x 70	4.0	1.9	12.3	6.90		022-2231
20.0	10 x 10	3.0	1.5	17.9	9.20		022-2232
20.0	10 x 20	3.0	1.5	17.9	9.20		022-2233
20.0	10 x 70	3.0	1.5	17.9	9.20		022-2234
20.0	15 x 15	6.0	2.1	16.0	9.20		022-2235
20.0	15 x 25	6.0	2.1	16.0	9.20		022-2236
20.0	15 x 70	6.0	2.1	16.0	9.20		022-2237
25.0	10 x 10	3.0	1.9	22.9	11.50		022-2240
25.0	10 x 20	3.0	1.9	22.9	11.50		022-2245
25.0	10 x 70	3.0	1.9	22.9	11.50		022-2247
25.0	15 x 15	5.0	2.2	21.6	11.50		022-2248
25.0	15 x 25	5.0	2.2	21.6	11.50		022-2249
25.0	15 x 70	5.0	2.2	21.6	11.50		022-2250
25.0	20 x 20	7.0	1.2	20.2	11.50		022-2251
25.0	20 x 30	7.0	1.2	20.2	11.50		022-2252
25.0	20 x 40	7.0	1.2	20.2	11.50		022-2253
25.0	20 x 70	7.0	1.2	20.2	11.50		022-2254
30.0	10 x 10	3.0	2.1	27.9	13.80		022-2630
30.0	10 x 20	3.0	2.1	27.9	13.80		022-2631
30.0	10 x 70	3.0	2.1	27.9	13.80		022-2632
30.0	15 x 15	4.0	1.8	27.3	13.80		022-2633
30.0	15 x 25	4.0	1.8	27.3	13.80		022-2634
30.0	15 x 70	4.0	1.8	27.3	13.80		022-2635
30.0	20 x 20	6.0	1.7	25.9	13.80		022-2636
30.0	20 x 30	6.0	1.7	25.9	13.80		022-2637
30.0	20 x 40	6.0	1.7	25.9	13.80		022-2638
30.0	20 x 70	6.0	1.7	25.9	13.80		022-2639
40.0	10 x 10	3.0	2.3	37.9	18.40		022-2255
40.0	10 x 20	3.0	2.3	37.9	18.40		022-2256
40.0	10 x 70	3.0	2.3	37.9	18.40		022-2257
40.0	15 x 15	4.0	2.4	37.3	18.40		022-2259
40.0	15 x 25	4.0	2.4	37.3	18.40		022-2260
40.0	15 x 70	4.0	2.4	37.3	18.40		022-2270
40.0	20 x 20	5.0	2.0	36.3	18.40		022-2273
40.0	20 x 30	5.0	2.0	36.3	18.40		022-2275
40.0	20 x 40	5.0	2.0	36.3	18.40		022-2277
40.0	20 x 70	5.0	2.0	36.3	18.40		022-2279
50.0	20 x 20	4.0	1.7	47.3	23.00		022-2280
50.0	20 x 30	4.0	1.7	47.3	23.00		022-2283
50.0	20 x 40	4.0	1.7	47.3	23.00		022-2284
50.0	20 x 70	4.0	1.7	47.3	23.00		022-2290
50.0	30 x 30	7.0	1.4	45.2	23.00		022-2293
50.0	30 x 40	7.0	1.4	45.2	23.00		022-2294
50.0	30 x 50	7.0	1.4	45.2	23.00		022-2295
50.0	30 x 70	7.0	1.4	45.2	23.00		022-2296
60.0	20 x 20	4.0	2.1	57.3	27.60		022-2330
60.0	20 x 30	4.0	2.1	57.3	27.60		022-2334
60.0	20 x 40	4.0	2.1	57.3	27.60		022-2335
60.0	20 x 70	4.0	2.1	57.3	27.60		022-2340
60.0	30 x 30	6.0	1.6	55.9	27.60		022-2336
60.0	30 x 40	6.0	1.6	55.9	27.60		022-2337
60.0	30 x 50	6.0	1.6	55.9	27.60		022-2338

Spherical Lenses

Cylindrical Lenses

Lens Kits

Achromatic Doublets

Multi-Element

Micro Optics

Mirrors

Prisms

Substrates &amp; Windows

Beamsplitters

Polarizers

Filter &amp; Apertures

ORDERING  
&  
TECHNICAL SUPPORT  
(949) 851-5881  
FAX (949) 851-5058

E-MAIL  
sales@optosigma.com  
WEB  
www.optosigma.com



## Fused Silica Cylindrical Plano Convex Lenses (continued)

Spherical Lenses

Cylindrical Lenses

Lens Kits

Achromatic Doublets

Multi-Element

Micro Optics

Mirrors

Prisms

Substrates &amp; Windows

Beamsplitters

Polarizers

Filter &amp; Apertures

f (mm)	W X L (mm)	tc (mm)	te (mm)	fb (mm)	r (mm)	Price	PART NUMBER
60.0	30 x 70	6.0	1.6	55.9	27.60		022-2339
70.0	20 x 20	4.0	2.4	67.3	32.20		022-2342
70.0	20 x 30	4.0	2.4	67.3	32.20		022-2343
70.0	20 x 40	4.0	2.4	67.3	32.20		022-2344
70.0	20 x 70	4.0	2.4	67.3	32.20		022-2345
70.0	30 x 30	6.0	2.3	65.9	32.20		022-2346
70.0	30 x 40	6.0	2.3	65.9	32.20		022-2347
70.0	30 x 50	6.0	2.3	65.9	32.20		022-2348
70.0	30 x 70	6.0	2.3	65.9	32.20		022-2349
80.0	20 x 20	4.0	2.6	77.3	36.80		022-2350
80.0	20 x 30	4.0	2.6	77.3	36.80		022-2353
80.0	20 x 40	4.0	2.6	77.3	36.80		022-2354
80.0	20 x 70	4.0	2.6	77.3	36.80		022-2360
80.0	30 x 30	5.0	1.8	79.6	36.80		022-2363
80.0	30 x 40	5.0	1.8	79.6	36.80		022-2364
80.0	30 x 50	5.0	1.8	79.6	36.80		022-2365
80.0	30 x 70	5.0	1.8	79.6	36.80		022-2367
100.0	20 x 20	4.0	2.9	97.3	46.00		022-2370
100.0	20 x 30	4.0	2.9	97.3	46.00		022-2373
100.0	20 x 40	4.0	2.9	97.3	46.00		022-2374
100.0	20 x 50	4.0	2.9	97.3	46.00		022-2375
100.0	20 x 70	4.0	2.9	97.3	46.00		022-2380
100.0	30 x 30	5.0	2.5	96.6	46.00		022-2383
100.0	30 x 40	5.0	2.5	96.6	46.00		022-2384
100.0	30 x 50	5.0	2.5	96.6	46.00		022-2385
100.0	30 x 70	5.0	2.5	96.6	46.00		022-2387
130.0	20 x 20	4.0	3.2	127.3	59.80		022-2390
130.0	20 x 30	4.0	3.2	127.3	59.80		022-2391
130.0	20 x 40	4.0	3.2	127.3	59.80		022-2392
130.0	20 x 50	4.0	3.2	127.3	59.80		022-2393
130.0	20 x 100	4.0	3.2	127.3	59.80		022-2394
130.0	30 x 30	5.0	3.1	126.6	59.80		022-2395
130.0	30 x 40	5.0	3.1	126.6	59.80		022-2396
130.0	30 x 50	5.0	3.1	126.6	59.80		022-2397
130.0	30 x 100	5.0	3.1	126.6	59.80		022-2398
150.0	20 x 20	4.0	3.3	147.3	69.00		022-2440
150.0	20 x 30	4.0	3.3	147.3	69.00		022-2441
150.0	20 x 40	4.0	3.3	147.3	69.00		022-2442
150.0	20 x 50	4.0	3.3	147.3	69.00		022-2443
150.0	20 x 100	4.0	3.3	147.3	69.00		022-2444
150.0	30 x 30	5.0	3.3	146.6	69.00		022-2445
150.0	30 x 40	5.0	3.3	146.6	69.00		022-2446
150.0	30 x 50	5.0	3.3	146.6	69.00		022-2450
150.0	30 x 100	5.0	3.3	146.6	69.00		022-2451
200.0	20 x 20	4.0	3.5	197.3	92.00		022-2452
200.0	20 x 30	4.0	3.5	197.3	92.00		022-2453
200.0	20 x 40	4.0	3.5	197.3	92.00		022-2454
200.0	20 x 50	4.0	3.5	197.3	92.00		022-2455
200.0	20 x 100	4.0	3.5	197.3	92.00		022-2468
200.0	30 x 30	5.0	3.8	196.6	92.00		022-2457
200.0	30 x 40	5.0	3.8	196.6	92.00		022-2458
200.0	30 x 50	5.0	3.8	196.6	92.00		022-2460
200.0	30 x 100	5.0	3.8	196.6	92.00		022-2470

ORDERING  
&  
TECHNICAL SUPPORT

(949) 851-5881

FAX (949) 851-5058

E-MAIL

sales@optosigma.com

WEB

www.optosigma.com



## Fused Silica Cylindrical Plano Convex Lenses (continued)

f (mm)	W X L (mm)	tc (mm)	te (mm)	fb (mm)	r (mm)	Price	PART NUMBER
250.0	20 x 20	4.0	3.6	247.3	115.00		022-2481
250.0	20 x 30	4.0	3.6	247.3	115.00		022-2482
250.0	20 x 40	4.0	3.6	247.3	115.00		022-2483
250.0	20 x 50	4.0	3.6	247.3	115.00		022-2484
250.0	20 x 100	4.0	3.6	247.3	115.00		022-2485
250.0	30 x 30	5.0	4.0	246.6	115.00		022-2486
250.0	30 x 40	5.0	4.0	246.6	115.00		022-2487
250.0	30 x 50	5.0	4.0	246.6	115.00		022-2488
250.0	30 x 100	5.0	4.0	246.6	115.00		022-2489
300.0	20 x 20	4.0	3.6	297.3	138.00		022-2472
300.0	20 x 30	4.0	3.6	297.3	138.00		022-2473
300.0	20 x 40	4.0	3.6	297.3	138.00		022-2474
300.0	20 x 50	4.0	3.6	297.3	138.00		022-2475
300.0	20 x 100	4.0	3.6	297.3	138.00		022-2478
300.0	30 x 30	5.0	4.2	296.6	138.00		022-2476
300.0	30 x 40	5.0	4.2	296.6	138.00		022-2477
300.0	30 x 50	5.0	4.2	296.6	138.00		022-2479
300.0	30 x 100	5.0	4.2	296.6	138.00		022-2480
400.0	20 x 20	4.0	3.7	397.3	184.00		022-2521
400.0	20 x 30	4.0	3.7	397.3	184.00		022-2522
400.0	20 x 40	4.0	3.7	397.3	184.00		022-2523
400.0	20 x 50	4.0	3.7	397.3	184.00		022-2524
400.0	20 x 100	4.0	3.7	397.3	184.00		022-2525
400.0	30 x 30	5.0	4.4	396.6	184.00		022-2526
400.0	30 x 40	5.0	4.4	396.6	184.00		022-2527
400.0	30 x 50	5.0	4.4	396.6	184.00		022-2528
400.0	30 x 100	5.0	4.4	396.6	184.00		022-2529
500.0	20 x 20	4.0	3.7	497.3	230.00		022-2541
500.0	20 x 30	4.0	3.7	497.3	230.00		022-2542
500.0	20 x 40	4.0	3.7	497.3	230.00		022-2543
500.0	20 x 50	4.0	3.7	497.3	230.00		022-2544
500.0	20 x 100	4.0	3.7	497.3	230.00		022-2545
500.0	30 x 30	5.0	4.4	496.6	230.00		022-2546
500.0	30 x 40	5.0	4.4	496.6	230.00		022-2547
500.0	30 x 50	5.0	4.4	496.6	230.00		022-2548
500.0	30 x 100	5.0	4.4	496.6	230.00		022-2549
700.0	20 x 20	4.0	3.8	697.3	322.00		022-2561
700.0	20 x 30	4.0	3.8	697.3	322.00		022-2562
700.0	20 x 40	4.0	3.8	697.3	322.00		022-2563
700.0	20 x 50	4.0	3.8	697.3	322.00		022-2564
700.0	20 x 100	4.0	3.8	697.3	322.00		022-2565
700.0	30 x 30	5.0	4.7	696.6	322.00		022-2566
700.0	30 x 40	5.0	4.7	696.6	322.00		022-2567
700.0	30 x 50	5.0	4.7	696.6	322.00		022-2568
700.0	30 x 100	5.0	4.7	696.6	322.00		022-2569
1000.0	20 x 20	4.0	3.8	997.3	460.00		022-2581
1000.0	20 x 30	4.0	3.8	997.3	460.00		022-2582
1000.0	20 x 40	4.0	3.8	997.3	460.00		022-2583
1000.0	20 x 50	4.0	3.8	997.3	460.00		022-2584
1000.0	20 x 100	4.0	3.8	997.3	460.00		022-2585
1000.0	30 x 30	5.0	4.8	996.6	460.00		022-2586
1000.0	30 x 40	5.0	4.8	996.6	460.00		022-2587
1000.0	30 x 50	5.0	4.8	996.6	460.00		022-2588
1000.0	30 x 100	5.0	4.8	996.6	460.00		022-2589

Spherical Lenses

Cylindrical Lenses

Lens Kits

Achromatic Doublets

Multi-Element

Micro Optics

Mirrors

Prisms

Substrates &amp; Windows

Beamsplitters

Polarizers

Filter &amp; Apertures

ORDERING  
&  
TECHNICAL SUPPORT

(949) 851-5881

FAX (949) 851-5058

E-MAIL

sales@optosigma.com

WEB

www.optosigma.com

