

Spherical Lenses

Cylindrical Lenses

Lens Kits

Achromatic Doublets

Multi-Element

Micro Optics

Mirrors

Prisms

Substrates & Windows

Beamsplitters

Polarizers

Filter & Apertures

Fused Silica Plano Convex Lenses

- Simple positive fused silica lenses for general use
- Focal lengths from 8 to 5000mm
- Diameters from 5 to 50.8mm
- Complete range of optional Anti-Reflection coatings available



Plano convex lenses are essentially best-form lenses when used at infinite or near-infinite conjugate ratios. With their positive focal lengths they will converge incident collimated light and form both real and virtual images. Plano convex lenses are often used in simple telescopes, collimators, and magnification or condensing systems.

These are the simplest form of lens having a flat surface on one side and a spherical surface on the other. They are also very close to the form which minimizes spherical aberration for infinite conjugate applications.

We have a vast range of different diameters and focal lengths. The lenses listed here are standards. Please call if you do not see the lens you need. We have both larger and smaller lenses and many other diameters to choose from. However, we do try to keep these standards available for quick delivery. For very small lenses see the section on Microlenses.

Our fused silica lenses are made from Ultra-Violet quality synthetic fused silica. These lenses are best used for applications which require either the superior Ultra-Violet or IR transmission or the improved hardness of silica. Our silica lenses are provided uncoated, however a wide range of standard Anti-Reflection coatings is available for these lenses. These coatings are described on pages 18 and 19.

Specifications & Tolerances

Focal length: $\pm 1\%$ (Diameter $\geq 10\text{mm}$)
 $\pm 2\%$ (Diameter $< 10\text{mm}$)

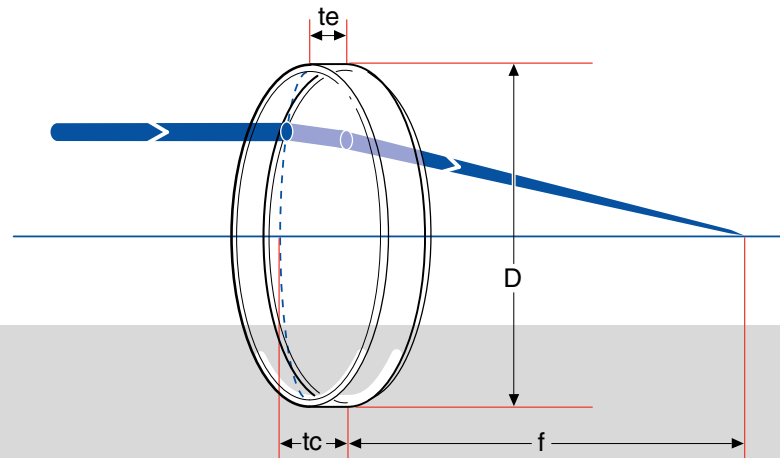
Thickness: $\pm 0.15\text{mm}$

Material: Synthetic fused silica,

Diameter: $+0, -0.1\text{mm}$

Clear aperture: $>90\%$

Coating: Optional (see pages 18 and 19)



PLANO CONVEX LENS

ORDERING
&
TECHNICAL SUPPORT

(949) 851-5881

FAX (949) 851-5058

E-MAIL

sales@optosigma.com

WEB

www.optosigma.com

Fused Silica Plano Convex Lenses

D (mm)	f (mm)	tc (mm)	te (mm)	fb (mm)	r (mm)	Centration (arcmin)	Surface Quality	Price	PART NUMBER
5.0	8.0	2.5	1.6	6.3	3.68	≤ 3	40 - 20		014-0001
5.0	9.0	2.3	1.4	7.6	4.14	≤ 3	40 - 20		014-0002
5.0	10.0	2.1	1.4	8.6	4.60	≤ 3	40 - 20		014-0003
5.0	12.0	1.9	1.3	10.7	5.52	≤ 3	40 - 20		014-0004
5.0	15.0	1.7	1.2	13.8	6.90	≤ 3	40 - 20		014-0005
5.0	20.0	1.5	1.2	19.0	9.20	≤ 3	40 - 20		014-0006
5.0	25.0	1.4	1.1	24.0	11.50	≤ 3	40 - 20		014-0007
5.0	30.0	1.3	1.1	29.1	13.80	≤ 3	40 - 20		014-0008
6.0	8.0	2.5	1.0	6.3	3.68	≤ 3	40 - 20		014-0010
6.0	9.0	2.3	1.0	7.4	4.14	≤ 3	40 - 20		014-0015
6.0	10.0	2.1	1.0	8.6	4.60	≤ 3	40 - 20		014-0020
6.0	12.0	1.9	1.0	10.7	5.52	≤ 3	40 - 20		014-0025
6.0	15.0	1.7	1.0	13.8	6.90	≤ 3	40 - 20		014-0030
6.0	20.0	1.5	1.0	19.0	9.20	≤ 3	40 - 20		014-0040
6.0	25.0	1.4	1.0	24.0	11.50	≤ 3	40 - 20		014-0050
6.0	30.0	1.3	1.0	29.1	13.80	≤ 3	40 - 20		014-0055
7.0	10.0	3.8	2.2	7.4	4.60	≤ 3	40 - 20		014-0060
7.0	12.0	3.2	2.0	9.8	5.52	≤ 3	40 - 20		014-0062
7.0	15.0	2.8	1.8	13.1	6.90	≤ 3	40 - 20		014-0064
7.0	20.0	2.4	1.7	18.3	9.20	≤ 3	40 - 20		014-0066
7.0	25.0	2.2	1.7	23.5	11.50	≤ 3	40 - 20		014-0068
7.0	30.0	2.1	1.6	28.6	13.80	≤ 3	40 - 20		014-0070
7.0	40.0	1.9	1.6	38.7	18.40	≤ 3	40 - 20		014-0072
7.0	50.0	1.9	1.6	48.7	23.00	≤ 3	40 - 20		014-0074
8.0	10.0	3.8	1.5	7.4	4.60	≤ 3	40 - 20		014-0080
8.0	12.0	3.2	1.5	9.8	5.52	≤ 3	40 - 20		014-0082
8.0	15.0	2.8	1.5	13.1	6.90	≤ 3	40 - 20		014-0084
8.0	20.0	2.4	1.5	18.3	9.20	≤ 3	40 - 20		014-0086
8.0	25.0	2.2	1.5	23.5	11.50	≤ 3	40 - 20		014-0088
8.0	30.0	2.1	1.5	28.6	13.80	≤ 3	40 - 20		014-0090
8.0	40.0	1.9	1.5	38.7	18.40	≤ 3	40 - 20		014-0092
8.0	50.0	1.9	1.5	48.7	23.00	≤ 3	40 - 20		014-0094
10.0	15.0	4.1	2.0	12.2	6.90	≤ 1	20 - 10		014-0110
10.0	20.0	3.5	2.0	17.6	9.20	≤ 1	20 - 10		014-0120
10.0	25.0	3.1	2.0	22.8	11.50	≤ 1	20 - 10		014-0125
10.0	30.0	2.9	2.0	28.0	13.80	≤ 1	20 - 10		014-0130
10.0	40.0	2.7	2.0	38.2	18.40	≤ 1	20 - 10		014-0135
10.0	50.0	2.6	2.0	48.3	23.00	≤ 1	20 - 10		014-0140
10.0	60.0	2.5	2.0	58.3	27.60	≤ 1	20 - 10		014-0142
10.0	70.0	2.4	2.0	68.4	32.20	≤ 1	20 - 10		014-0144
10.0	80.0	2.3	2.0	78.4	36.80	≤ 1	20 - 10		014-0146
10.0	90.0	2.3	2.0	88.4	41.40	≤ 1	20 - 10		014-0147
10.0	100.0	2.3	2.0	98.4	46.00	≤ 1	20 - 10		014-0148
12.7	15.0	6.2	2.0	10.8	6.90	≤ 1	20 - 10		014-0150
12.7	20.0	4.5	2.0	16.9	9.20	≤ 1	20 - 10		014-0160
12.7	25.0	3.9	2.0	22.3	11.50	≤ 1	20 - 10		014-0170
12.7	40.0	3.1	2.0	37.9	18.40	≤ 1	20 - 10		014-0180
12.7	50.0	2.9	2.0	48.0	23.00	≤ 1	20 - 10		014-0190
15.0	20.0	5.9	2.0	16.0	9.20	≤ 1	20 - 10		014-0220
15.0	25.0	4.8	2.0	21.7	11.50	≤ 1	20 - 10		014-0230
15.0	30.0	4.2	2.0	27.1	13.80	≤ 1	20 - 10		014-0240

ORDERING
&
TECHNICAL SUPPORT

(949) 851-5881

FAX (949) 851-5058

E-MAIL

sales@optosigma.com

WEB

www.optosigma.com

Fused Silica Plano Convex Lenses (continued)

Spherical Lenses

Cylindrical Lenses

Lens Kits

Achromatic Doublets

Multi-Element

Micro Optics

Mirrors

Prisms

Substrates & Windows

Beamsplitters

Polarizers

Filter & Apertures

	D (mm)	f (mm)	tc (mm)	te (mm)	fb (mm)	r (mm)	Centration (arcmin)	Surface Quality	Price	PART NUMBER
	15.0	40.0	3.6	2.0	37.5	18.40	≤ 1	20 - 10		014-0250
	15.0	50.0	3.3	2.0	47.8	23.00	≤ 1	20 - 10		014-0260
	15.0	60.0	3.0	2.0	57.9	27.60	≤ 1	20 - 10		014-0262
	15.0	70.0	2.9	2.0	68.0	32.20	≤ 1	20 - 10		014-0264
	15.0	80.0	2.8	2.0	78.1	36.80	≤ 1	20 - 10		014-0266
	15.0	90.0	2.7	2.0	88.2	41.40	≤ 1	20 - 10		014-0267
	15.0	100.0	2.6	2.0	98.3	46.00	≤ 1	20 - 10		014-0268
	20.0	25.0	7.8	2.0	19.6	11.50	≤ 1	20 - 10		014-0270
	20.0	30.0	6.3	2.0	25.7	13.80	≤ 1	20 - 10		014-0280
	20.0	40.0	5.0	2.0	36.6	18.40	≤ 1	20 - 10		014-0290
	20.0	50.0	4.3	2.0	47.1	23.00	≤ 1	20 - 10		014-0330
	20.0	60.0	3.9	2.0	57.3	27.60	≤ 1	20 - 10		014-0332
	20.0	70.0	3.6	2.0	67.5	32.20	≤ 1	20 - 10		014-0334
	20.0	80.0	3.4	2.0	77.7	36.80	≤ 1	20 - 10		014-0336
	20.0	90.0	3.2	2.0	87.8	41.40	≤ 1	20 - 10		014-0338
	20.0	100.0	3.1	2.0	97.9	46.00	≤ 1	20 - 10		014-0340
	20.0	120.0	2.9	2.0	118.0	55.20	≤ 1	20 - 10		014-0341
	20.0	150.0	2.7	2.0	148.1	69.00	≤ 1	20 - 10		014-0342
	20.0	170.0	2.6	2.0	168.2	78.20	≤ 1	20 - 10		014-0343
	20.0	200.0	2.5	2.0	198.3	92.00	≤ 1	20 - 10		014-0344
	25.0	30.0	10.0	2.0	23.2	13.80	≤ 1	20 - 10		014-0350
	25.0	35.0	8.0	2.0	29.6	16.10	≤ 1	20 - 10		014-0355
	25.0	40.0	6.9	2.0	35.3	18.40	≤ 1	20 - 10		014-0360
	25.0	50.0	5.7	2.0	46.1	23.00	≤ 1	20 - 10		014-0370
	25.0	60.0	5.0	2.0	56.6	27.60	≤ 1	20 - 10		014-0372
	25.0	70.0	4.5	2.0	66.9	32.20	≤ 1	20 - 10		014-0375
	25.0	80.0	4.2	2.0	77.1	36.80	≤ 1	20 - 10		014-0380
	25.0	90.0	3.9	2.0	87.3	41.40	≤ 1	20 - 10		014-0385
	25.0	100.0	3.7	2.0	97.4	46.00	≤ 1	20 - 10		014-0390
	25.0	120.0	3.4	2.0	117.6	55.20	≤ 1	20 - 10		014-0410
	25.0	150.0	3.1	2.0	147.8	69.00	≤ 1	20 - 10		014-0440
	25.0	170.0	3.0	2.0	167.9	78.20	≤ 1	20 - 10		014-0445
	25.0	200.0	2.9	2.0	198.0	92.00	≤ 1	20 - 10		014-0450
	25.0	220.0	2.8	2.0	218.1	101.20	≤ 1	20 - 10		014-0455
	25.0	250.0	2.7	2.0	248.2	115.00	≤ 1	20 - 10		014-0460
	25.4	30.0	10.0	1.6	23.2	13.80	≤ 1	20 - 10		014-0490
	25.4	35.0	8.0	1.8	29.5	16.10	≤ 1	20 - 10		014-0500
	25.4	40.0	6.9	1.8	35.3	18.40	≤ 1	20 - 10		014-0520
	25.4	50.0	5.7	1.9	46.1	23.00	≤ 1	20 - 10		014-0550
	25.4	60.0	5.0	1.9	56.6	27.60	≤ 1	20 - 10		014-0552
	25.4	70.0	4.5	1.9	66.9	32.20	≤ 1	20 - 10		014-0555
	25.4	80.0	4.2	1.9	77.1	36.80	≤ 1	20 - 10		014-0560
	25.4	90.0	3.9	1.9	87.3	41.40	≤ 1	20 - 10		014-0565
	25.4	100.0	3.7	1.9	97.5	46.00	≤ 1	20 - 10		014-0570
	25.4	150.0	3.1	1.9	147.9	69.00	≤ 1	20 - 10		014-0580
	25.4	200.0	2.9	1.9	198.0	92.00	≤ 3	20 - 10		014-0590
	25.4	250.0	2.7	1.9	248.2	115.00	≤ 3	20 - 10		014-0600
	25.4	300.0	2.5	1.9	298.3	138.00	≤ 3	20 - 10		014-0605
	25.4	400.0	2.3	1.9	398.4	184.00	≤ 3	20 - 10		014-0615
	25.4	500.0	2.3	1.9	498.0	230.00	≤ 3	20 - 10		014-0625
	25.4	1000.0	2.1	1.9	998.6	460.00	≤ 3	20 - 10		014-0650
	30.0	35.0	12.3	2.0	26.6	16.10	≤ 1	20 - 10		014-0690
	30.0	40.0	9.7	2.0	33.3	18.40	≤ 1	20 - 10		014-0770
	30.0	50.0	7.6	2.0	44.8	23.00	≤ 1	20 - 10		014-0780

ORDERING

&

TECHNICAL SUPPORT

(949) 851-5881

FAX (949) 851-5058

E-MAIL

sales@optosigma.com

WEB

www.optosigma.com

Fused Silica Plano Convex Lenses (continued)

D (mm)	f (mm)	tc (mm)	te (mm)	fb (mm)	r (mm)	Centration (arcmin)	Surface Quality	Price	PART NUMBER
30.0	60.0	6.4	2.0	55.6	27.60	≤ 1	20 - 10		014-0790
30.0	70.0	5.7	2.0	66.1	32.20	≤ 1	20 - 10		014-0880
30.0	80.0	5.2	2.0	76.4	36.80	≤ 1	20 - 10		014-0890
30.0	90.0	4.8	2.0	86.7	41.40	≤ 1	20 - 10		014-0900
30.0	100.0	4.5	2.0	96.9	46.00	≤ 1	20 - 10		014-0990
30.0	120.0	4.1	2.0	117.2	55.20	≤ 1	20 - 10		014-1110
30.0	150.0	3.7	2.0	147.5	69.00	≤ 1	20 - 10		014-1120
30.0	170.0	3.5	2.0	167.6	78.20	≤ 1	20 - 10		014-1125
30.0	200.0	3.2	2.0	197.8	92.00	≤ 1	20 - 10		014-1130
30.0	220.0	3.1	2.0	217.9	101.20	≤ 1	20 - 10		014-1132
30.0	250.0	3.0	2.0	248.0	115.00	≤ 1	20 - 10		014-1135
30.0	300.0	2.8	2.0	298.1	138.00	≤ 1	20 - 10		014-1140
30.0	350.0	2.7	2.0	348.2	161.00	≤ 3	20 - 10		014-1141
30.0	400.0	2.6	2.0	398.2	184.00	≤ 3	20 - 10		014-1142
30.0	450.0	2.5	2.0	448.3	207.00	≤ 3	20 - 10		014-1143
30.0	500.0	2.5	2.0	498.3	230.00	≤ 3	20 - 10		014-1144
30.0	600.0	2.4	2.0	598.4	276.00	≤ 3	20 - 10		014-1145
30.0	700.0	2.4	2.0	698.4	322.00	≤ 3	20 - 10		014-1146
30.0	800.0	2.3	2.0	798.4	368.00	≤ 3	20 - 10		014-1147
30.0	900.0	2.3	2.0	898.4	414.00	≤ 3	20 - 10		014-1148
30.0	1000.0	2.2	2.0	998.5	460.00	≤ 3	20 - 10		014-1149
30.0	1200.0	2.2	2.0	1198.5	552.00	≤ 3	20 - 10		014-1150
30.0	1500.0	2.2	2.0	1498.5	690.00	≤ 3	20 - 10		014-1151
30.0	2000.0	2.1	2.0	1998.5	920.00	≤ 3	20 - 10		014-1152
30.0	2500.0	2.1	2.0	2498.6	1150.00	≤ 3	20 - 10		014-1153
30.0	3000.0	2.1	2.0	2998.6	1380.00	≤ 3	20 - 10		014-1154
30.0	4000.0	2.1	2.0	3998.6	1840.00	≤ 3	20 - 10		014-1155
30.0	5000.0	2.1	2.0	4998.6	2300.00	≤ 3	20 - 10		014-1156
40.0	50.0	13.6	2.0	40.7	23.00	≤ 1	20 - 10		014-1158
40.0	60.0	10.6	2.0	52.8	27.60	≤ 1	20 - 10		014-1160
40.0	70.0	9.0	2.0	63.9	32.20	≤ 1	20 - 10		014-1165
40.0	80.0	7.9	2.0	74.6	36.80	≤ 1	20 - 10		014-1170
40.0	90.0	7.2	2.0	85.1	41.40	≤ 1	20 - 10		014-1175
40.0	100.0	6.6	2.0	95.5	46.00	≤ 1	20 - 10		014-1180
40.0	120.0	5.8	2.0	116.1	55.20	≤ 1	20 - 10		014-1185
40.0	150.0	5.0	2.0	146.6	69.00	≤ 1	20 - 10		014-1190
40.0	170.0	4.6	2.0	166.8	78.20	≤ 1	20 - 10		014-1195
40.0	200.0	4.2	2.0	197.1	92.00	≤ 1	20 - 10		014-1220
40.0	220.0	4.0	2.0	217.3	101.20	≤ 1	20 - 10		014-1218
40.0	250.0	3.8	2.0	247.4	115.00	≤ 1	20 - 10		014-1221
40.0	300.0	3.5	2.0	297.6	138.00	≤ 1	20 - 10		014-1223
40.0	350.0	3.2	2.0	347.8	161.00	≤ 1	20 - 10		014-1225
40.0	400.0	3.1	2.0	397.9	184.00	≤ 1	20 - 10		014-1227
40.0	450.0	3.0	2.0	448.0	207.00	≤ 3	20 - 10		014-1228
40.0	500.0	2.9	2.0	498.0	230.00	≤ 3	20 - 10		014-1229
50.0	70.0	14.9	3.0	59.8	32.20	≤ 1	20 - 10		014-1230
50.0	80.0	12.8	3.0	71.2	36.80	≤ 1	20 - 10		014-1240
50.0	90.0	11.4	3.0	82.2	41.40	≤ 1	20 - 10		014-1245
50.0	100.0	10.4	3.0	92.9	46.00	≤ 1	20 - 10		014-1250
50.0	120.0	9.0	3.0	113.8	55.20	≤ 1	20 - 10		014-1255
50.0	150.0	7.7	3.0	144.7	69.00	≤ 1	20 - 10		014-1260
50.0	170.0	7.1	3.0	165.1	78.20	≤ 1	20 - 10		014-1265
50.0	200.0	6.5	3.0	195.6	92.00	≤ 1	20 - 10		014-1270
50.0	220.0	6.1	3.0	215.8	101.20	≤ 1	20 - 10		014-1272
50.0	250.0	5.8	3.0	246.1	115.00	≤ 1	20 - 10		014-1275
50.0	300.0	5.3	3.0	296.4	138.00	≤ 1	20 - 10		014-1280

Spherical Lenses

Cylindrical Lenses

Lens Kits

Achromatic Doublets

Multi-Element

Micro Optics

Mirrors

Prisms

Substrates & Windows

Beamsplitters

Polarizers

Filter & Apertures

ORDERING
&
TECHNICAL SUPPORT
(949) 851-5881
FAX (949) 851-5058
E-MAIL
sales@optosigma.com
WEB
www.optosigma.com

Fused Silica Plano Convex Lenses (continued)

Spherical Lenses

Cylindrical Lenses

Lens Kits

Achromatic Doublets

Multi-Element

Micro Optics

Mirrors

Prisms

Substrates & Windows

Beamsplitters

Polarizers

Filter & Apertures

	D (mm)	f (mm)	tc (mm)	te (mm)	fb (mm)	r (mm)	Centration (arcmin)	Surface Quality	Price	PART NUMBER
	50.0	350.0	5.0	3.0	346.6	161.00	≤ 1	20 - 10		014-1282
	50.0	400.0	4.7	3.0	396.8	184.00	≤ 1	20 - 10		014-1285
	50.0	450.0	4.5	3.0	446.9	207.00	≤ 1	20 - 10		014-1287
	50.0	500.0	4.4	3.0	497.0	230.00	≤ 1	20 - 10		014-1290
	50.0	600.0	4.1	3.0	597.2	276.00	≤ 3	20 - 10		014-1310
	50.0	700.0	4.0	3.0	697.3	322.00	≤ 3	20 - 10		014-1315
	50.0	800.0	3.9	3.0	797.4	368.00	≤ 3	20 - 10		014-1320
	50.0	900.0	3.8	3.0	897.4	414.00	≤ 3	20 - 10		014-1325
	50.0	1000.0	3.7	3.0	997.5	460.00	≤ 3	20 - 10		014-1330
	50.0	1200.0	3.6	3.0	1197.6	552.00	≤ 3	20 - 10		014-1331
	50.0	1500.0	3.5	3.0	1497.6	690.00	≤ 3	20 - 10		014-1332
	50.0	2000.0	3.3	3.0	1997.7	920.00	≤ 3	20 - 10		014-1333
	50.0	2500.0	3.3	3.0	2497.8	1150.00	≤ 3	20 - 10		014-1334
	50.0	3000.0	3.2	3.0	2997.8	1380.00	≤ 3	20 - 10		014-1335
	50.0	4000.0	3.2	3.0	3997.8	1840.00	≤ 3	20 - 10		014-1336
	50.0	5000.0	3.1	3.0	4997.9	2300.00	≤ 3	20 - 10		014-1337
	50.8	70.0	14.9	2.5	59.8	32.20	≤ 1	20 - 10		014-1339
	50.8	80.0	12.8	2.6	71.2	36.80	≤ 1	20 - 10		014-1340
	50.8	90.0	11.4	2.7	82.2	41.40	≤ 1	20 - 10		014-1345
	50.8	100.0	10.4	2.8	92.9	46.00	≤ 1	20 - 10		014-1350
	50.8	120.0	9.0	2.8	113.8	55.20	≤ 1	20 - 10		014-1355
	50.8	150.0	7.7	2.9	144.7	69.00	≤ 1	20 - 10		014-1360
	50.8	170.0	7.1	2.9	165.1	78.20	≤ 1	20 - 10		014-1365
	50.8	200.0	6.5	2.9	195.6	92.00	≤ 1	20 - 10		014-1370
	50.8	250.0	5.7	2.9	246.1	115.00	≤ 1	20 - 10		014-1375
	50.8	300.0	5.3	2.9	296.4	138.00	≤ 1	20 - 10		014-1380
	50.8	400.0	4.7	2.9	396.8	184.00	≤ 1	20 - 10		014-1390
	50.8	500.0	4.4	3.0	497.0	230.00	≤ 1	20 - 10		014-1400
	50.8	1000.0	3.7	3.0	997.5	460.00	≤ 3	20 - 10		014-1425
	60.0	80.0	18.5	3.0	67.3	36.80	≤ 1	20 - 10		014-1465
	60.0	90.0	15.9	3.0	79.1	41.40	≤ 1	20 - 10		014-1470
	60.0	100.0	14.1	3.0	90.3	46.00	≤ 1	20 - 10		014-1475
	60.0	120.0	11.9	3.0	111.9	55.20	≤ 1	20 - 10		014-1480
	60.0	150.0	9.9	3.0	143.2	69.00	≤ 1	20 - 10		014-1485
	60.0	170.0	9.0	3.0	163.8	78.20	≤ 1	20 - 10		014-1490
	60.0	200.0	8.0	3.0	194.5	92.00	≤ 1	20 - 10		014-1495
	60.0	220.0	7.5	3.0	214.8	101.20	≤ 1	20 - 10		014-1500
	60.0	250.0	7.0	3.0	245.2	115.00	≤ 1	20 - 10		014-1505
	60.0	300.0	6.3	3.0	295.7	138.00	≤ 1	20 - 10		014-1510
	60.0	350.0	5.8	3.0	346.0	161.00	≤ 1	20 - 10		014-1515
	60.0	400.0	5.5	3.0	396.3	184.00	≤ 1	20 - 10		014-1520
	60.0	450.0	5.2	3.0	446.5	207.00	≤ 1	20 - 10		014-1525
	60.0	500.0	5.0	3.0	496.6	230.00	≤ 1	20 - 10		014-1530
ORDERING	100.0	200.0	17.8	3.0	187.8	92.00	≤ 1	20 - 10		014-1565
&	100.0	250.0	14.4	3.0	240.1	115.00	≤ 1	20 - 10		014-1570
TECHNICAL SUPPORT	100.0	300.0	12.4	3.0	291.5	138.00	≤ 1	20 - 10		014-1575
(949) 851-5881	100.0	350.0	11.0	3.0	342.5	161.00	≤ 1	20 - 10		014-1580
FAX (949) 851-5058	100.0	400.0	9.9	3.0	393.2	184.00	≤ 1	20 - 10		014-1585
E-MAIL	100.0	500.0	8.5	3.0	494.2	230.00	≤ 1	20 - 10		014-1590
sales@optosigma.com	100.0	600.0	7.6	3.0	594.8	276.00	≤ 1	20 - 10		014-1595
WEB	100.0	700.0	6.9	3.0	695.3	322.00	≤ 1	20 - 10		014-1600
www.optosigma.com	100.0	800.0	6.4	3.0	795.6	368.00	≤ 1	20 - 10		014-1605
	100.0	1000.0	5.7	3.0	995.1	460.00	≤ 1	20 - 10		014-1610