

BK-7 Plano Convex Lenses

- Simple general use positive lenses
- Focal lengths from 8.0 to 5000mm
- Anti-Reflection coatings available
- Diameters from 5.0 to 100mm
- See Micro Optics for additional products



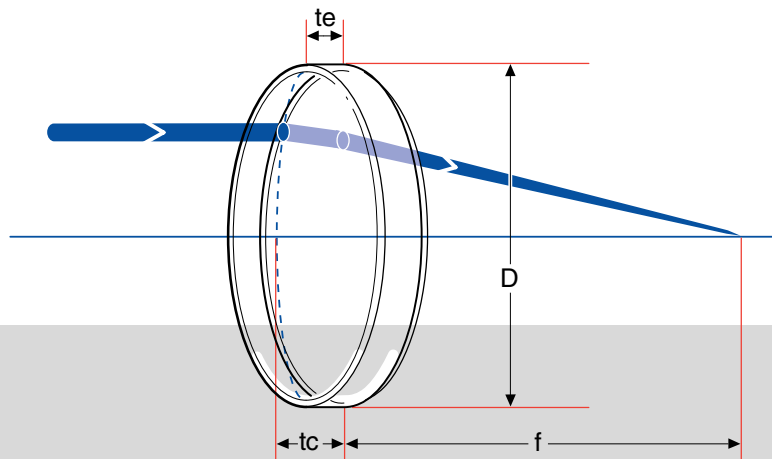
These are simple lenses having a flat surface on one side and a spherical surface on the other. They are also very close to the form which minimizes spherical aberration for infinite conjugate applications.

Our glass lenses are made from the highest grade of BK7 optical glass. We have a vast range of different diameters and focal lengths. The lenses listed here are standards. Please call if you do not see the lens you need. We have both larger and smaller lenses and many other diameters to choose from. However, we do try to keep these standards available for quick delivery. For very small lenses see the section on microlenses.

These lenses are offered uncoated or with our A55 broadband visible (425-675nm) multilayer Anti-Reflection coating. In addition we offer a wide range of standard Anti-Reflection coatings for other wavelengths.

Specifications & Tolerances

Focal length: $\pm 1\%$ (Diameter $\geq 10\text{mm}$)	Diameter: $\leq 60\text{mm} +0, -0.10\text{mm}$
$\pm 2\%$ (Diameter $< 10\text{mm}$)	$= 80\text{mm} +0, -0.15\text{mm}$
Thickness: $\pm 0.15\text{mm}$	$= 100\text{mm} +0, -0.20\text{mm}$
Surface Quality: 20-10	Material: BK7 grade A
Clear Aperture: $>90\%$	Design Wavelength: 546.1nm
Coating: Optional broadband Anti-Reflection 425-675nm (for other wavelengths see pages 18 and 19)	



PLANO CONVEX LENS

Spherical Lenses

Cylindrical Lenses

Lens Kits

Achromatic Doublets

Multi-Element

Micro Optics

Mirrors

Prisms

Substrates & Windows

Beamsplitters

Polarizers

Filter & Apertures

Plano convex lenses are essentially best-form lenses when used at infinite or near-infinite conjugate ratios. With their positive focal lengths they will converge incident collimated light and form both real and virtual images. Plano convex lenses are often used in simple telescopes, collimators, and magnification or condensing systems.

ORDERING
&
TECHNICAL SUPPORT
(949) 851-5881
FAX (949) 851-5058
E-MAIL
sales@optosigma.com
WEB
www.optosigma.com

Spherical Lenses

Cylindrical Lenses

Lens Kits

Achromatic Doublets

Multi-Element

Micro Optics

Mirrors

Prisms

Substrates & Windows

Beamsplitters

Polarizers

Filter & Apertures

BK-7 Plano Convex Lenses

UNCOATED

AR COATED
425-675nm

	D (mm)	f (mm)	tc (mm)	te (mm)	fb (mm)	r (mm)	Centration (arcmin)	Price	PART NUMBER	Price	PART NUMBER
	5.0	8.0	2.3	1.4	6.5	4.15	≤ 3		011-0220		011-0220-A55
	5.0	9.0	2.1	1.4	7.6	4.67	≤ 3		011-0225		011-0225-A55
	5.0	10.0	2.0	1.3	8.7	5.19	≤ 3		011-0230		011-0230-A55
	5.0	12.0	1.8	1.2	10.8	6.23	≤ 3		011-0250		011-0250-A55
	5.0	15.0	1.6	1.2	13.9	7.79	≤ 3		011-0260		011-0260-A55
	5.0	20.0	1.4	1.1	19.1	10.38	≤ 3		011-0270		011-0270-A55
	5.0	25.0	1.4	1.1	24.1	12.98	≤ 3		011-0280		011-0280-A55
	5.0	30.0	1.3	1.1	29.1	15.57	≤ 3		011-0290		011-0290-A55
	6.0	8.0	2.3	1.0	6.5	4.15	≤ 3		011-0330		011-0330-A55
	6.0	9.0	2.1	1.0	7.6	4.67	≤ 3		011-0340		011-0340-A55
	6.0	10.0	2.0	1.0	8.7	5.19	≤ 3		011-0350		011-0350-A55
	6.0	12.0	1.8	1.0	10.8	6.25	≤ 3		011-0450		011-0450-A55
	6.0	15.0	1.6	1.0	13.9	7.79	≤ 3		011-0370		011-0370-A55
	6.0	20.0	1.4	1.0	19.1	10.38	≤ 3		011-0380		011-0380-A55
	6.0	25.0	1.4	1.0	24.1	12.98	≤ 3		011-0460		011-0460-A55
	6.0	30.0	1.3	1.0	29.1	15.57	≤ 3		011-0440		011-0440-A55
	7.0	10.0	3.4	2.0	7.8	5.19	≤ 3		011-0461		011-0461-A55
	7.0	12.0	3.0	1.9	10.1	6.23	≤ 3		011-0462		011-0462-A55
	7.0	15.0	2.6	1.8	13.3	7.79	≤ 3		011-0463		011-0463-A55
	7.0	20.0	2.3	1.7	18.5	10.38	≤ 3		011-0464		011-0464-A55
	7.0	25.0	2.1	1.7	23.6	12.98	≤ 3		011-0465		011-0465-A55
	7.0	30.0	2.0	1.6	28.7	15.57	≤ 3		011-0466		011-0466-A55
	7.0	40.0	1.9	1.6	38.8	20.76	≤ 3		011-0467		011-0467-A55
	7.0	50.0	1.8	1.6	48.8	25.95	≤ 3		011-0468		011-0468-A55
	8.0	10.0	3.4	1.5	7.8	5.19	≤ 3		011-0470		011-0470-A55
	8.0	12.0	3.0	1.5	10.1	6.23	≤ 3		011-0480		011-0480-A55
	8.0	15.0	2.6	1.5	13.3	7.79	≤ 3		011-0490		011-0490-A55
	8.0	20.0	2.3	1.5	18.5	10.38	≤ 3		011-0550		011-0550-A55
	8.0	25.0	2.1	1.5	23.6	12.98	≤ 3		011-0560		011-0560-A55
	8.0	30.0	2.0	1.5	28.7	15.57	≤ 3		011-0570		011-0570-A55
	8.0	40.0	1.9	1.5	38.8	20.76	≤ 3		011-0580		011-0580-A55
	8.0	50.0	1.8	1.5	48.8	25.95	≤ 3		011-0590		011-0590-A55
	10.0	15.0	3.8	2.0	12.5	7.79	≤ 1		011-0660		011-0660-A55
	10.0	20.0	3.3	2.0	17.8	10.38	≤ 1		011-0670		011-0670-A55
	10.0	25.0	3.0	2.0	23.0	12.98	≤ 1		011-0680		011-0680-A55
	10.0	30.0	2.8	2.0	28.1	15.57	≤ 1		011-0690		011-0690-A55
	10.0	40.0	2.6	2.0	38.3	20.76	≤ 1		011-0770		011-0770-A55
	10.0	50.0	2.5	2.0	48.4	25.95	≤ 1		011-0780		011-0780-A55
	10.0	60.0	2.4	2.0	58.4	31.14	≤ 1		011-0790		011-0790-A55
	10.0	70.0	2.3	2.0	68.5	36.33	≤ 1		011-0870		011-0870-A55
	10.0	80.0	2.3	2.0	78.5	41.52	≤ 1		011-0890		011-0890-A55
	10.0	90.0	2.3	2.0	88.5	46.71	≤ 1		011-0900		011-0900-A55
	10.0	100.0	2.2	2.0	98.5	51.90	≤ 1		011-0990		011-0990-A55
	12.7	20.0	4.2	2.0	17.2	10.38	≤ 1		011-1110		011-1110-A55
	12.7	25.0	3.7	2.0	22.6	12.98	≤ 1		011-1120		011-1120-A55
	12.7	30.0	3.4	2.0	27.8	15.57	≤ 1		011-1125		011-1125-A55
	12.7	40.0	3.0	2.0	38.0	20.76	≤ 1		011-1130		011-1130-A55
	12.7	50.0	2.8	2.0	48.4	25.95	≤ 1		011-1140		011-1140-A55
	12.7	60.0	2.7	2.0	58.4	31.14	≤ 1		011-1150		011-1150-A55
	12.7	70.0	2.6	2.0	68.5	36.33	≤ 1		011-1155		011-1155-A55
	12.7	80.0	2.5	2.0	78.5	41.52	≤ 1		011-1160		011-1160-A55
	12.7	100.0	2.4	2.0	98.6	51.90	≤ 1		011-1170		011-1170-A55

ORDERING
&

TECHNICAL SUPPORT

(949) 851-5881

FAX (949) 851-5058

E-MAIL

sales@optosigma.com

WEB

www.optosigma.com

BK-7 Plano Convex Lenses (continued)

UNCOATED

AR COATED
425-675nm

D (mm)	f (mm)	tc (mm)	te (mm)	fb (mm)	r (mm)	Centration (arcmin)	Price	PART NUMBER	Price	PART NUMBER
15.0	20.0	5.2	2.0	16.6	10.38	≤ 1		011-1180		011-1180-A55
15.0	25.0	4.4	2.0	22.1	12.98	≤ 1		011-1190		011-1190-A55
15.0	30.0	3.9	2.0	27.4	15.57	≤ 1		011-1220		011-1220-A55
15.0	40.0	3.4	2.0	37.8	20.76	≤ 1		011-1230		011-1230-A55
15.0	50.0	3.1	2.0	48.0	25.95	≤ 1		011-1240		011-1240-A55
15.0	60.0	2.9	2.0	58.1	31.14	≤ 1		011-1250		011-1250-A55
15.0	70.0	2.8	2.0	68.2	36.33	≤ 1		011-1255		011-1255-A55
15.0	80.0	2.7	2.0	78.2	41.52	≤ 1		011-1260		011-1260-A55
15.0	90.0	2.6	2.0	88.3	46.71	≤ 1		011-1265		011-1265-A55
15.0	100.0	2.5	2.0	98.3	51.90	≤ 1		011-1270		011-1270-A55
15.0	120.0	2.5	2.0	118.4	62.28	≤ 1		011-1275		011-1275-A55
15.0	150.0	2.4	2.0	148.4	77.85	≤ 1		011-1280		011-1280-A55
20.0	25.0	6.7	2.0	20.6	12.98	≤ 1		011-1290		011-1290-A55
20.0	30.0	5.6	2.0	26.3	15.57	≤ 1		011-1330		011-1330-A55
20.0	40.0	4.6	2.0	37.0	20.76	≤ 1		011-1340		011-1340-A55
20.0	50.0	4.0	2.0	47.4	25.95	≤ 1		011-1350		011-1350-A55
20.0	60.0	3.6	2.0	57.6	31.14	≤ 1		011-1360		011-1360-A55
20.0	70.0	3.4	2.0	67.8	36.33	≤ 1		011-1365		011-1365-A55
20.0	80.0	3.2	2.0	77.9	41.52	≤ 1		011-1370		011-1370-A55
20.0	90.0	3.1	2.0	88.0	46.71	≤ 1		011-1375		011-1375-A55
20.0	100.0	3.0	2.0	98.0	51.90	≤ 1		011-1380		011-1380-A55
20.0	120.0	2.8	2.0	118.2	62.28	≤ 1		011-1390		011-1390-A55
20.0	150.0	2.6	2.0	148.3	77.85	≤ 1		011-1440		011-1440-A55
20.0	170.0	2.6	2.0	168.2	88.23	≤ 1		011-1445		011-1445-A55
20.0	200.0	2.5	2.0	198.4	103.80	≤ 1		011-1450		011-1450-A55
25.0	30.0	8.3	2.0	24.5	15.57	≤ 1		011-1460		011-1460-A55
25.0	35.0	7.0	2.0	30.4	18.17	≤ 1		011-1470		011-1470-A55
25.0	40.0	6.2	2.0	36.0	20.76	≤ 1		011-1480		011-1480-A55
25.0	50.0	5.2	2.0	46.6	25.95	≤ 1		011-1490		011-1490-A55
25.0	60.0	4.6	2.0	57.0	31.14	≤ 1		011-1550		011-1550-A55
25.0	70.0	4.2	2.0	67.2	36.33	≤ 1		011-1555		011-1555-A55
25.0	80.0	3.9	2.0	77.4	41.52	≤ 1		011-1560		011-1560-A55
25.0	90.0	3.7	2.0	87.6	46.71	≤ 1		011-1565		011-1565-A55
25.0	100.0	3.5	2.0	97.7	51.90	≤ 1		011-1570		011-1570-A55
25.0	120.0	3.3	2.0	117.8	62.28	≤ 1		011-1580		011-1580-A55
25.0	150.0	3.0	2.0	148.0	77.85	≤ 1		011-1590		011-1590-A55
25.0	170.0	2.9	2.0	168.1	88.23	≤ 1		011-1610		011-1610-A55
25.0	200.0	2.8	2.0	198.2	103.80	≤ 1		011-1660		011-1660-A55
25.0	220.0	2.7	2.0	218.2	114.18	≤ 1		011-1665		011-1665-A55
25.0	250.0	2.6	2.0	248.3	129.75	≤ 1		011-1670		011-1670-A55
25.4	30.0	8.3	1.7	24.5	15.57	≤ 1		011-1675		011-1675-A55
25.4	35.0	7.0	1.8	30.4	18.17	≤ 1		011-1677		011-1677-A55
25.4	40.0	6.2	1.9	36.0	20.76	≤ 1		011-1680		011-1680-A55
25.4	50.0	5.2	1.9	46.6	25.95	≤ 1		011-1690		011-1690-A55
25.4	60.0	4.6	1.9	57.0	31.14	≤ 1		011-1770		011-1770-A55
25.4	70.0	4.2	1.9	67.2	36.33	≤ 1		011-1775		011-1775-A55
25.4	80.0	3.9	1.9	77.4	41.52	≤ 1		011-1780		011-1780-A55
25.4	90.0	3.7	1.9	87.6	46.71	≤ 1		011-1785		011-1785-A55
25.4	100.0	3.5	1.9	97.7	51.90	≤ 1		011-1790		011-1790-A55
25.4	120.0	3.3	2.0	117.8	62.28	≤ 1		011-1880		011-1880-A55
25.4	150.0	3.0	2.0	148.0	77.85	≤ 1		011-1890		011-1890-A55
25.4	170.0	2.9	2.0	168.1	88.23	≤ 1		011-1892		011-1892-A55
25.4	200.0	2.8	2.0	198.2	103.80	≤ 1		011-1895		011-1895-A55
25.4	250.0	2.6	2.0	248.3	129.75	≤ 1		011-1990		011-1990-A55
25.4	300.0	2.5	2.0	298.4	155.70	≤ 3		011-1992		011-1992-A55

Spherical Lenses

Cylindrical Lenses

Lens Kits

Achromatic Doublets

Multi-Element

Micro Optics

Mirrors

Prisms

Substrates & Windows

Beamsplitters

Polarizers

Filter & Apertures

ORDERING
&
TECHNICAL SUPPORT
(949) 851-5881
FAX (949) 851-5058
E-MAIL
sales@optosigma.com
WEB
www.optosigma.com



BK-7 Plano Convex Lenses (continued)

UNCOATED

AR COATED
425-675nm

Spherical Lenses

Cylindrical Lenses

Lens Kits

Achromatic Doublets

Multi-Element

Micro Optics

Mirrors

Prisms

Substrates & Windows

Beamsplitters

Polarizers

Filter & Apertures

	D (mm)	f (mm)	tc (mm)	te (mm)	fb (mm)	r (mm)	Centration (arcmin)	Price	PART NUMBER	Price	PART NUMBER
	25.4	500.0	2.4	2.0	498.4	259.50	≤ 3		011-1996		011-1996-A55
	25.4	700.0	2.2	2.0	698.5	363.30	≤ 3		011-1999		011-1999-A55
	25.4	1000.0	2.2	2.0	998.5	519.00	≤ 3		011-2004		011-2004-A55
	30.0	35.0	9.9	2.0	28.5	18.17	≤ 1		011-2220		011-2220-A55
	30.0	40.0	8.4	2.0	34.5	20.76	≤ 1		011-2230		011-2230-A55
	30.0	50.0	6.8	2.0	45.5	25.95	≤ 1		011-2240		011-2240-A55
	30.0	60.0	5.9	2.0	56.1	31.14	≤ 1		011-2250		011-2250-A55
	30.0	70.0	5.2	2.0	66.5	36.33	≤ 1		011-2260		011-2260-A55
	30.0	80.0	4.8	2.0	76.8	41.52	≤ 1		011-2270		011-2270-A55
	30.0	90.0	4.5	2.0	87.1	46.71	≤ 1		011-2275		011-2275-A55
	30.0	100.0	4.2	2.0	97.2	51.90	≤ 1		011-2280		011-2280-A55
	30.0	120.0	3.8	2.0	117.5	62.28	≤ 1		011-2290		011-2290-A55
	30.0	150.0	3.5	2.0	147.7	77.85	≤ 1		011-2330		011-2330-A55
	30.0	170.0	3.3	2.0	167.8	88.23	≤ 1		011-2335		011-2335-A55
	30.0	200.0	3.1	2.0	198.0	103.80	≤ 1		011-2340		011-2340-A55
	30.0	220.0	3.0	2.0	218.0	114.18	≤ 1		011-2345		011-2345-A55
	30.0	250.0	2.9	2.0	248.1	129.75	≤ 1		011-2350		011-2350-A55
	30.0	300.0	2.7	2.0	298.2	155.70	≤ 1		011-2352		011-2352-A55
	30.0	350.0	2.6	2.0	348.3	181.65	≤ 3		011-2354		011-2354-A55
	30.0	400.0	2.5	2.0	398.2	207.60	≤ 3		011-2356		011-2356-A55
	30.0	450.0	2.5	2.0	448.4	233.55	≤ 3		011-2358		011-2358-A55
	30.0	500.0	2.4	2.0	498.4	259.50	≤ 3		011-2360		011-2360-A55
	30.0	600.0	2.4	2.0	598.4	311.40	≤ 3		011-2362		011-2362-A55
	30.0	700.0	2.3	2.0	698.5	363.30	≤ 3		011-2364		011-2364-A55
	30.0	800.0	2.3	2.0	798.5	415.20	≤ 3		011-2366		011-2366-A55
	30.0	900.0	2.2	2.0	898.5	467.10	≤ 3		011-2368		011-2368-A55
	30.0	1000.0	2.2	2.0	998.5	519.00	≤ 3		011-2370		011-2370-A55
	30.0	1200.0	2.2	2.0	1198.6	622.80	≤ 3		011-2372		011-2372-A55
	30.0	1500.0	2.1	2.0	1498.6	778.50	≤ 3		011-2374		011-2374-A55
	30.0	2000.0	2.1	2.0	1998.6	1038.00	≤ 3		011-2376		011-2376-A55
	30.0	2500.0	2.1	2.0	2498.6	1297.50	≤ 3		011-2378		011-2378-A55
	30.0	3000.0	2.1	2.0	2998.6	1557.00	≤ 3		011-2380		011-2380-A55
	30.0	4000.0	2.1	2.0	3998.6	2076.00	≤ 3		011-2382		011-2382-A55
	30.0	5000.0	2.0	2.0	4998.6	2595.00	≤ 3		011-2384		011-2384-A55
	38.1	50.0	10.3	2.0	43.3	25.95	≤ 1		011-2440		011-2440-A55
	38.1	60.0	8.5	2.0	54.5	31.14	≤ 1		011-2450		011-2450-A55
	38.1	80.0	6.6	2.0	75.8	41.52	≤ 1		011-2460		011-2460-A55
	38.1	100.0	5.6	2.0	96.5	51.90	≤ 1		011-2470		011-2470-A55
	38.1	120.0	5.0	2.0	117.0	62.28	≤ 1		011-2480		011-2480-A55
	40.0	50.0	11.4	2.0	42.5	25.95	≤ 1		011-2490		011-2490-A55
	40.0	60.0	9.3	2.0	53.9	31.14	≤ 1		011-2550		011-2550-A55
	40.0	70.0	8.0	2.0	64.7	36.33	≤ 1		011-2560		011-2560-A55
	40.0	80.0	7.1	2.0	75.3	41.52	≤ 1		011-2570		011-2570-A55
	40.0	90.0	6.5	2.0	85.7	46.71	≤ 1		011-2575		011-2575-A55
	40.0	100.0	6.0	2.0	96.0	51.90	≤ 1		011-2580		011-2580-A55
	40.0	120.0	5.3	2.0	116.5	62.28	≤ 1		011-2590		011-2590-A55
	40.0	150.0	4.6	2.0	147.0	77.85	≤ 1		011-2660		011-2660-A55
	40.0	170.0	4.3	2.0	167.2	88.23	≤ 1		011-2665		011-2665-A55
	40.0	200.0	3.9	2.0	197.4	103.80	≤ 1		011-2670		011-2670-A55
	40.0	220.0	3.8	2.0	217.5	114.18	≤ 1		011-2675		011-2675-A55
	40.0	250.0	3.6	2.0	247.7	129.75	≤ 1		011-2680		011-2680-A55
	40.0	300.0	3.3	2.0	297.7	155.70	≤ 1		011-2682		011-2682-A55
	40.0	350.0	3.1	2.0	348.0	181.65	≤ 1		011-2683		011-2683-A55
	40.0	400.0	3.0	2.0	398.0	207.60	≤ 1		011-2685		011-2685-A55
	40.0	450.0	2.9	2.0	448.1	233.55	≤ 3		011-2687		011-2687-A55

ORDERING
&
TECHNICAL SUPPORT

(949) 851-5881

FAX (949) 851-5058

E-MAIL

sales@optosigma.com

WEB

www.optosigma.com



BK-7 Plano Convex Lenses (continued)

UNCOATED

AR COATED
425-675nm

D (mm)	f (mm)	tc (mm)	te (mm)	fb (mm)	r (mm)	Centration (arcmin)	Price	PART NUMBER	Price	PART NUMBER
40.0	500.0	2.8	2.0	498.2	259.50	≤ 3		011-2690		011-2690-A55
40.0	600.0	2.6	2.0	598.3	311.40	≤ 3		011-2710		011-2710-A55
40.0	700.0	2.6	2.0	698.3	363.30	≤ 3		011-2720		011-2720-A55
40.0	800.0	2.5	2.0	798.4	415.20	≤ 3		011-2770		011-2770-A55
40.0	900.0	2.4	2.0	898.4	467.10	≤ 3		011-2775		011-2775-A55
40.0	1000.0	2.4	2.0	998.4	519.00	≤ 3		011-2780		011-2780-A55
50.0	70.0	13.0	3.0	61.5	36.33	≤ 1		011-2870		011-2870-A55
50.0	80.0	11.4	3.0	72.5	41.52	≤ 1		011-2880		011-2880-A55
50.0	90.0	10.3	3.0	83.2	46.71	≤ 1		011-2885		011-2885-A55
50.0	100.0	9.4	3.0	93.8	51.90	≤ 1		011-2890		011-2890-A55
50.0	120.0	8.2	3.0	114.6	62.28	≤ 1		011-2990		011-2990-A55
50.0	150.0	7.1	3.0	145.3	77.85	≤ 1		011-3330		011-3330-A55
50.0	170.0	6.6	3.0	165.6	88.23	≤ 1		011-3335		011-3335-A55
50.0	200.0	6.1	3.0	196.0	103.80	≤ 1		011-3340		011-3340-A55
50.0	220.0	5.8	3.0	216.2	114.18	≤ 1		011-3345		011-3345-A55
50.0	250.0	5.4	3.0	246.4	129.75	≤ 1		011-3350		011-3350-A55
50.0	300.0	5.0	3.0	296.7	155.70	≤ 1		011-3352		011-3352-A55
50.0	350.0	4.7	3.0	346.9	181.65	≤ 1		011-3354		011-3354-A55
50.0	400.0	4.5	3.0	397.0	207.60	≤ 1		011-3356		011-3356-A55
50.0	450.0	4.3	3.0	447.1	233.55	≤ 1		011-3358		011-3358-A55
50.0	500.0	4.2	3.0	497.2	259.50	≤ 1		011-3360		011-3360-A55
50.0	600.0	4.0	3.0	597.4	311.40	≤ 3		011-3364		011-3364-A55
50.0	700.0	3.9	3.0	697.5	363.30	≤ 3		011-3366		011-3366-A55
50.0	800.0	3.8	3.0	797.4	415.20	≤ 3		011-3370		011-3370-A55
50.0	900.0	3.7	3.0	897.6	467.10	≤ 3		011-3374		011-3374-A55
50.0	1000.0	3.6	3.0	997.6	519.00	≤ 3		011-3380		011-3380-A55
50.0	1200.0	3.5	3.0	1197.7	622.80	≤ 3		011-3382		011-3382-A55
50.0	1500.0	3.4	3.0	1497.8	778.50	≤ 3		011-3384		011-3384-A55
50.0	2000.0	3.3	3.0	1997.8	1038.00	≤ 3		011-3386		011-3386-A55
50.0	2500.0	3.2	3.0	2497.9	1297.50	≤ 3		011-3388		011-3388-A55
50.0	3000.0	3.2	3.0	2997.9	1557.00	≤ 3		011-3390		011-3390-A55
50.0	4000.0	3.2	3.0	3997.9	2076.00	≤ 3		011-3392		011-3392-A55
50.0	5000.0	3.1	3.0	4997.9	2595.00	≤ 3		011-3394		011-3394-A55
50.8	70.0	13.4	3.0	61.2	36.33	≤ 1		011-3396		011-3396-A55
50.8	80.0	11.7	3.0	72.3	41.52	≤ 1		011-3450		011-3450-A55
50.8	90.0	10.3	3.0	83.2	46.71	≤ 1		011-3460		011-3460-A55
50.8	100.0	9.6	3.0	93.7	51.90	≤ 1		011-3470		011-3470-A55
50.8	120.0	8.2	2.8	114.6	62.28	≤ 1		011-3480		011-3480-A55
50.8	150.0	7.1	2.8	145.3	77.85	≤ 1		011-3490		011-3490-A55
50.8	170.0	6.6	3.0	165.7	88.23	≤ 1		011-3500		011-3500-A55
50.8	200.0	6.1	2.9	196.0	103.80	≤ 1		011-3520		011-3520-A55
50.8	250.0	5.4	2.9	246.4	129.75	≤ 1		011-3550		011-3550-A55
50.8	300.0	5.0	2.9	296.7	155.70	≤ 1		011-3552		011-3552-A55
50.8	400.0	4.5	3.0	397.0	207.60	≤ 1		011-3556		011-3556-A55
50.8	500.0	4.2	3.0	497.2	259.50	≤ 1		011-3560		011-3560-A55
50.8	700.0	3.9	3.0	697.4	363.30	≤ 3		011-3564		011-3564-A55
50.8	1000.0	3.6	3.0	997.6	519.00	≤ 3		011-3570		011-3570-A55
60.0	70.0	18.8	3.0	57.6	36.33	≤ 1		011-3660		011-3660-A55
60.0	80.0	15.8	3.0	69.6	41.52	≤ 1		011-3670		011-3670-A55
60.0	90.0	13.9	3.0	80.8	46.71	≤ 1		011-3675		011-3675-A55
60.0	100.0	12.5	3.0	91.7	51.90	≤ 1		011-3680		011-3680-A55
60.0	120.0	10.7	3.0	113.0	62.28	≤ 1		011-3690		011-3690-A55
60.0	150.0	9.0	3.0	144.1	77.85	≤ 1		011-3770		011-3770-A55
60.0	170.0	8.3	3.0	164.6	88.23	≤ 1		011-3775		011-3775-A55
60.0	200.0	7.4	3.0	195.1	103.80	≤ 1		011-3780		011-3780-A55

Spherical Lenses

Cylindrical Lenses

Lens Kits

Achromatic Doublets

Multi-Element

Micro Optics

Mirrors

Prisms

Substrates & Windows

Beamsplitters

Polarizers

Filter & Apertures

ORDERING
&
TECHNICAL SUPPORT
(949) 851-5881

FAX (949) 851-5058

E-MAIL
sales@optosigma.com

WEB
www.optosigma.com



Spherical Lenses

Cylindrical Lenses

Lens Kits

Achromatic Doublets

Multi-Element

Micro Optics

Mirrors

Prisms

Substrates & Windows

Beamsplitters

Polarizers

Filter & Apertures

BK-7 Plano Convex Lenses
(continued)

UNCOATED

AR COATED
425-675nm

D (mm)	f (mm)	tc (mm)	te (mm)	fb (mm)	r (mm)	Centration (arcmin)	Price	PART NUMBER	Price	PART NUMBER
60.0	220.0	7.0	3.0	215.4	114.18	≤ 1		011-3785		011-3785-A55
60.0	250.0	6.5	3.0	245.7	129.75	≤ 1		011-3790		011-3790-A55
60.0	300.0	5.9	3.0	296.1	155.70	≤ 1		011-3880		011-3880-A55
60.0	350.0	5.5	3.0	346.4	181.65	≤ 1		011-3885		011-3885-A55
60.0	400.0	5.2	3.0	396.6	207.60	≤ 1		011-3887		011-3887-A55
60.0	450.0	4.9	3.0	446.8	233.55	≤ 1		011-3888		011-3888-A55
60.0	500.0	4.7	3.0	496.9	259.50	≤ 1		011-3890		011-3890-A55
60.0	600.0	4.4	3.0	597.1	311.40	≤ 1		011-3910		011-3910-A55
60.0	700.0	4.2	3.0	697.2	363.30	≤ 3		011-3930		011-3930-A55
60.0	800.0	4.1	3.0	797.3	415.20	≤ 3		011-3990		011-3990-A55
60.0	900.0	4.0	3.0	897.4	467.10	≤ 3		011-3995		011-3995-A55
60.0	1000.0	3.9	3.0	997.5	519.00	≤ 3		011-4440		011-4440-A55
80.0	100.0	21.8	3.0	85.6	51.90	≤ 1		011-4490		011-4490-A55
80.0	150.0	14.1	3.0	140.8	77.85	≤ 1		011-4550		011-4550-A55
80.0	200.0	11.0	3.0	192.7	103.80	≤ 1		011-4560		011-4560-A55
80.0	250.0	9.3	3.0	243.9	129.75	≤ 1		011-4565		011-4565-A55
80.0	300.0	8.2	3.0	294.6	155.70	≤ 1		011-4570		011-4570-A55
80.0	350.0	7.5	3.0	345.1	181.65	≤ 1		011-4572		011-4572-A55
80.0	400.0	6.9	3.0	395.5	207.60	≤ 1		011-4575		011-4575-A55
80.0	500.0	6.1	3.0	496.0	259.50	≤ 1		011-4580		011-4580-A55
80.0	600.0	5.6	3.0	596.3	311.40	≤ 1		011-4584		011-4584-A55
80.0	700.0	5.2	3.0	696.6	363.30	≤ 1		011-4588		011-4588-A55
80.0	800.0	4.9	3.0	796.8	415.20	≤ 1		011-4590		011-4590-A55
80.0	1000.0	4.5	3.0	997.0	519.00	≤ 3		011-4660		011-4660-A55
100.0	150.0	21.2	3.0	136.1	77.85	≤ 1		011-4670		011-4670-A55
100.0	200.0	15.8	3.0	189.6	103.80	≤ 1		011-4680		011-4680-A55
100.0	250.0	13.0	3.0	241.4	129.75	≤ 1		011-4690		011-4690-A55
100.0	300.0	11.2	3.0	292.6	155.70	≤ 1		011-4770		011-4770-A55
100.0	350.0	10.0	3.0	343.4	181.65	≤ 1		011-4772		011-4772-A55
100.0	400.0	9.1	3.0	394.4	207.60	≤ 1		011-4775		011-4775-A55
100.0	500.0	7.9	3.0	494.8	259.50	≤ 1		011-4780		011-4780-A55
100.0	600.0	7.0	3.0	595.4	311.40	≤ 1		011-4782		011-4782-A55
100.0	700.0	6.5	3.0	695.7	363.30	≤ 1		011-4785		011-4785-A55
100.0	800.0	6.0	3.0	796.0	415.20	≤ 1		011-4790		011-4790-A55
100.0	1000.0	5.4	3.0	996.4	519.00	≤ 1		011-4880		011-4880-A55



OptoSigma coatings are manufactured using Ion Assisted Deposition (IAD) technology yielding highly densified coatings with extremely low losses and high laser damage thresholds.

ORDERING
&
TECHNICAL SUPPORT

(949) 851-5881

FAX (949) 851-5058

E-MAIL

sales@optosigma.com

WEB

www.optosigma.com

For other Anti-Reflection coatings append appropriate suffix (see pages 18 and 19). For smaller diameter lenses see the Microlenses section. For designs not found in our catalog, please call.